

Analog Handheld Microscope

Field of Application

The Analog Handheld Microscope is a test instrument for the visual inspection of a fiber connector's end face. It features high resolution, allowing detection of contamination and scratches as small as 1 micron. The system comes complete with a portable, rechargeable lithium 3.5" TFT display.

Features

- No external power source needed
- Simply plug into the supplied 3.5" TFT display via a standard 3.5mm connector
- The 3.5" TFT is supplied with a wrist strap and a bench stand. Ergonomic design
- Light weight
- Suitable for all common connector/adaper types



Product description

Analog Handheld Microscope

The Analog Handheld Microscope is a compact device with an integrated 1/3 inch CCD sensor with an x12.5 optical zoom to inspect the ferrule surface of a fiber optic connector. The Analog Handheld Microscope is easy to use. No additional power is needed, it will be supplied by the 3.5" TFT unit. The microscope focuses the fiber image very fast. The wrist strap allows you to attach the display to your wrist which makes it ideal for usage in the field.

Technical specifications

Camera type	analog
Sensor type	monochrome 1/3" CCD
Live image	324x240 full resolution
Field of view	0.4x0.4 mm;
Defect size detection	1 micron
Optical magnification	x12.5
Light source	blue LED, wave length 470nm
Power source	internal battery of the 3.5" TFT display unit
Cable connector	3.5mm
Dimensions	56.3mm x 25mm x 201mm (W x H x L)
Weight	330g
Housing material	Aluminum
Barrel material	Stainless steel



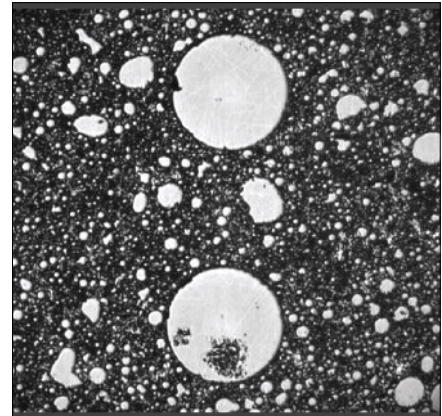
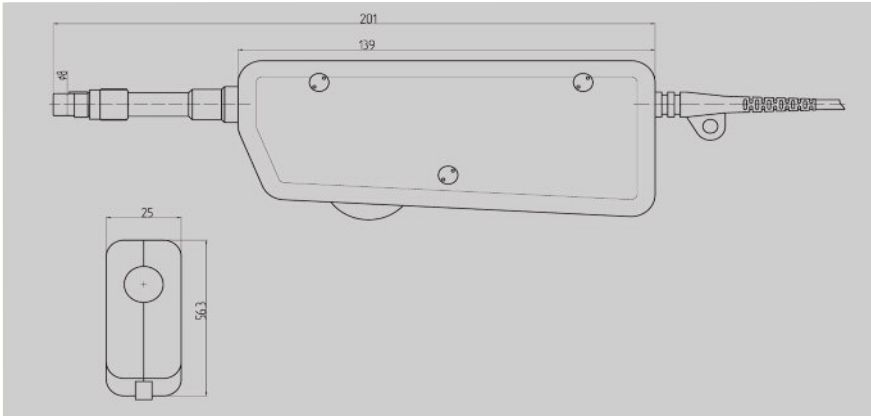
Packing

The shipment is packed within a cardboard box of the following dimensions: 343mm x 305mm x 153mm. Gross weight: 2.5kgs.

Scope of delivery

- 1 pc. Analog microscope inspection probe
- 1 pc. 3.5" TFT display
- 1 pc. Connection Holder for 2.5mm ferrule PC connectors
- 1 pc. Connection Holder for 1.25mm ferrule PC connectors
- 1 pc. Carrying case

Dimensions & Images



Dimensions

Dimensions of the handheld unit of the inspection probe system

MPO/MTP connector surface

Inspection of MT ferrule surfaces

Ordering Information

Handheld Microscope

Description	Type	ec-Article Nr.:
Analog Handheld Microscope Main Unit including 3.5" LCD display	HHMICROA	EC10.000010.011

Connection Holder - Male

Connection Holder for 2.5mm ferrule PC connectors	CHM250/PC	EC10.000010.021
Connection Holder for 1.5mm ferrule PC connectors	CHM150/PC	EC10.000010.033
Connection Holder for 1.25mm ferrule PC connectors	CHM125/PC	EC10.000010.022
Connection Holder for MTP/MPO PC connectors	CHFMMTPMPO/PC	EC10.000010.040
Connection Holder for 2.5mm ferrule APC connectors	CHM250/APC	EC10.000010.023
Connection Holder for 1.25mm ferrule APC connectors	CHM125/APC	EC10.000010.024
Connection Holder for 3.2mm ferrule SMA connectors with FT end face	CHMSMA/PC	EC10.000010.034
Connection Holder for 3.2mm ferrule multi fiber SMA connectors with FT end face	CHMSMAM/PC	EC10.000010.035
Connection Holder for inspection of 29504-/4/5 termini (pin) connectors	CHMIL1,6P	EC10.000010.041
Connection Holder for inspection of 29504-/4/5 termini (socket) connectors	CHMIL1,6S	EC10.000010.042
Connection Holder for inspection of Glenair GHD termini (pin) connectors	CHMIL1,25P	EC10.000010.043
Connection Holder for inspection of Glenair GHD termini (socket) connectors	CHMIL1,25S	EC10.000010.044

Connection Holder - Female

Connection Holder for connectors in SC/PC Adapters	CHFSC/PC	EC10.000010.025
Connection Holder for connectors in ST/PC Adapters	CHFST/PC	EC10.000010.037
Connection Holder for connectors in FC/PC Adapters	CHFFC/PC	EC10.000010.026
Connection Holder for connectors in LC/PC Adapters	CHFLC/PC	EC10.000010.027
Connection Holder for connectors in E2000/PC Adapters	CHFE2/PC	EC10.000010.028
Connection Holder for connectors with 1.6mm ferrule in Adapters	CHF126/PC	EC10.000010.036
Connection Holder for connectors in DIN/PC Adapters	CHFDIN/PC	EC10.000010.038
Connection Holder for connectors in SC/APC Adapters	CHFSC/APC	EC10.000010.029
Connection Holder for connectors in FC/APC Adapters	CHFFC/APC	EC10.000010.030
Connection Holder for connectors in LC/APC Adapters	CHFLC/APC	EC10.000010.031
Connection Holder for connectors in E2000/APC Adapters	CHFE2/APC	EC10.000010.032