

Cable Path

Cable ducting for Central Office & Datacenter

Field of Application

Cable Path, euroclust's solution for cable ducting is designed for central office systems and datacenter environments. Its purpose is the cable routing between the racks, splicing cabinets, termination equipment and active component frames. It is the ideal add-on for the euroclust FODIS Professional ODF central office system.

Features

- High class materials
- Completely modular design
- Quick and easy installation
- No special tools required
- Ensures minimum bending radius for fiber optic cables
- Perfect FODIS Pro system integration



Product description

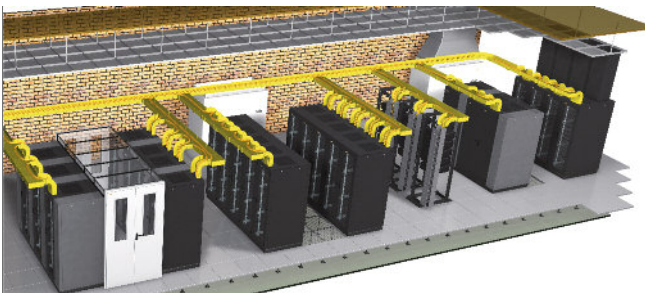
Cable Path ducting & cable routing system

There are several reasons for using cable duct systems within datacenters. Fiber optic cables are very fragile and need special treatment and protection. The euroclust Cable Path system protects the cable against mechanical influences which may destroy it and can cause downtime, repair and penalty costs as well as a loss of revenue. This ducting solution ensures that the cable's minimum bending radius is always maintained. It is possible to install Cable Path above the racks & equipment as well as below the floor. With the Cable Path system you get a cost efficient, high quality product which consists of various modules and parts in order to meet your specific requirements. This product is fully compatible with ducting systems of other brands which allows to save costs and finalize an existing installation with Cable Path.

Technical specifications

Material	PC/ABS
Color	Yellow (RAL 1018)
Operating temperature	
Flammability	UL94 V0
IP Protection class	xx
Width	160mm or 300mm
Height:	100mm

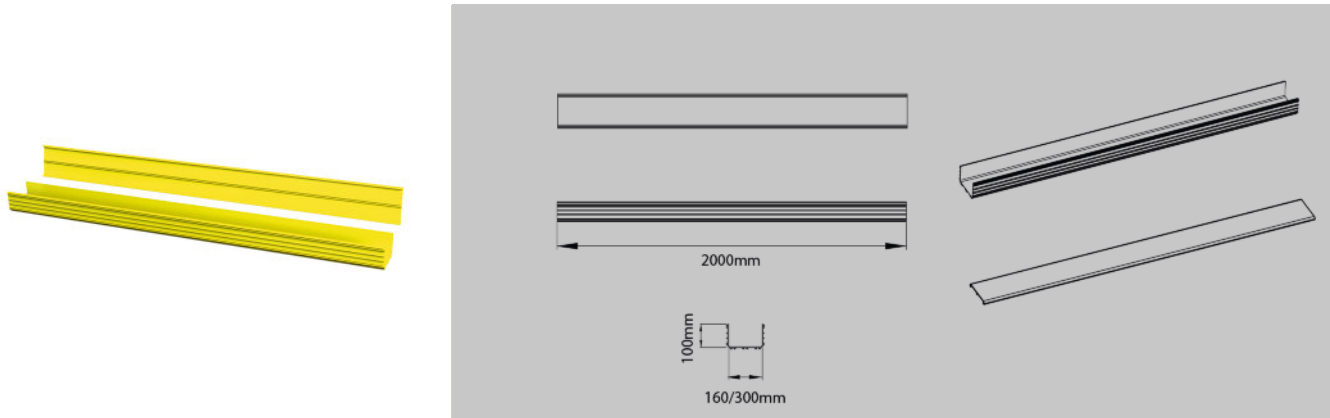
Installation



Modular and Flexible

The Cable Path System consists of various parts and joining elements. Each part has its unique type code as well as article number and can be ordered separately. This ensures maximum of flexibility and the possibility to adapt the cable route to any architectural circumstances. These properties make Cable Path to the ideal cable duct system, beginning from small distribution offices up to big datacenters.

Components & Dimensions

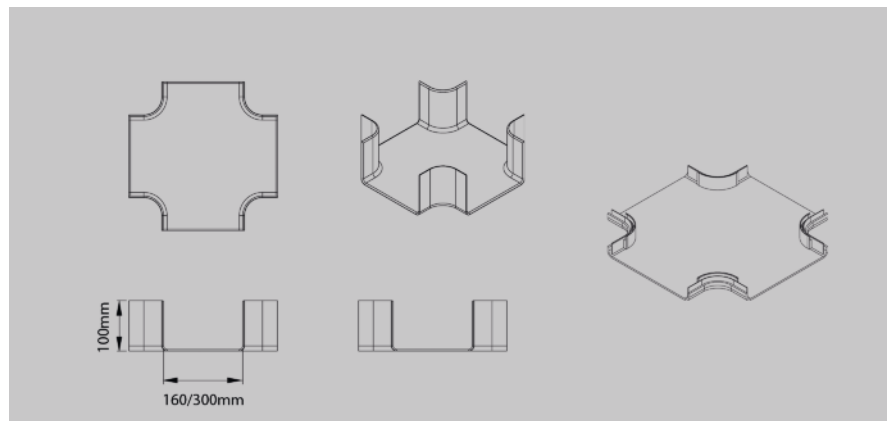
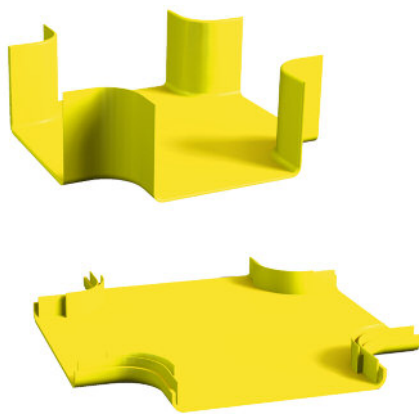


Straight Duct

the straight duct is an extruded conduit of 2m length. It can be connected with any other part of the Cable Path series when using joiners. The main duct can be cut to any length needed

Parts & Ordering Information

Description	Weight (net./gross)	Packing Unit	Type	ec-Article Nr.:
Straight duct, 160mm wide, 2m long	4.00/4.50.	2pcs.	CPSD-16M2M-YE	EC12.000000.100
Straight duct, 300mm wide, 2m long	12.50/13.00	2pcs.	CPSD-30M2M-YE	EC12.000000.101
Cover for Straight duct, 160mm wide, 2m long	2.30/2.50	2pcs.	CPSDC-16M2M-YE	EC12.000000.102
Cover for Straight duct, 300mm wide, 2m long	N/A	2pcs.	CPSDC-30M2M-YE	EC12.000000.103



Cross

The cross establishes a 4 way connection. To connect other parts with the cross, 4pcs. of joiners are necessary

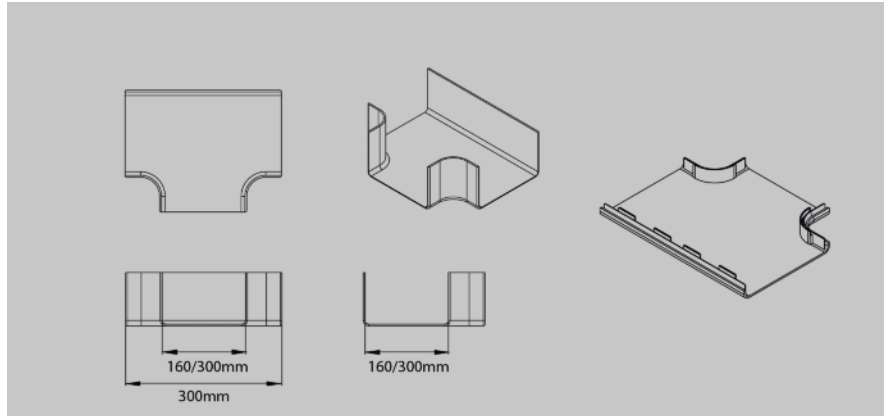
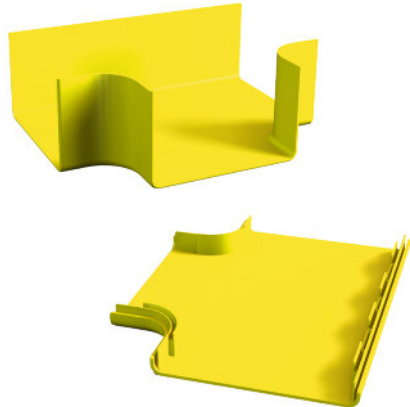
Parts & Ordering Information

Description	Weight (net./gross)	Packing Unit	Type	ec-Article Nr.:
Cross, 160mm wide	0.53/0.55	1pcs.	CPCA-16-YE	EC12.000000.103
Cross, 300mm wide	1.00/1.30s	1pcs	CPCA-30-YE	EC12.000000.104
Cover for Cross, 160mm wide	N/A	1pcs	CPCAC-16-YE	EC12.000000.105
Cover for Cross, 300mm wide	N/A	1pcs	CPCAC-30-YE	EC12.000000.106

Cable Path

Cable ducting for Central Office & Datacenter

Components & Dimensions

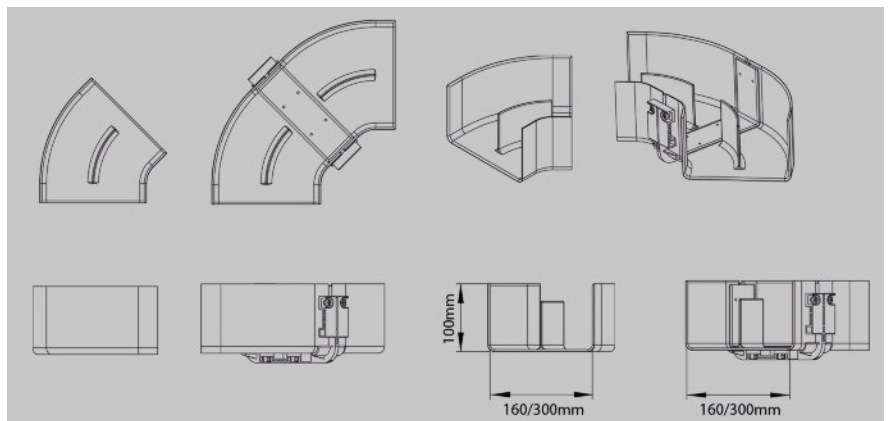
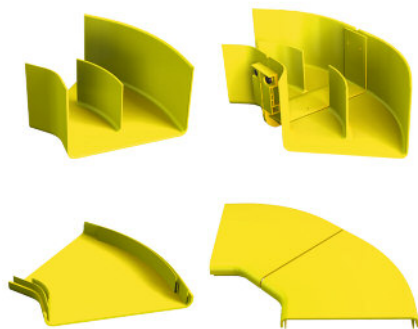


T-Element

The T-Element establishes a three way connection. To connect other parts with the T-Element, 3pcs. of joiners are necessary

Parts & Ordering Information

Description	Weight (net./gross)	Packing Unit	Type	ec-Article Nr.:
Horizontal T-Element, 160mm wide	0.52/0.60	1 pc.	CPHTA-16YE	EC12.000000.107
Horizontal T-Element, 300mm wide	0.95/1.03	1 pc.	CPHTA-30YE	EC12.000000.108
Cover for Horizontal T-Element, 160mm wide	N/A	1 pc.	CPHTA-16YE	EC12.000000.109
Cover for Horizontal T-Element, 300mm wide	N/A	1 pc.	CPHTA-30YE	EC12.000000.110



Horizontal Elbow

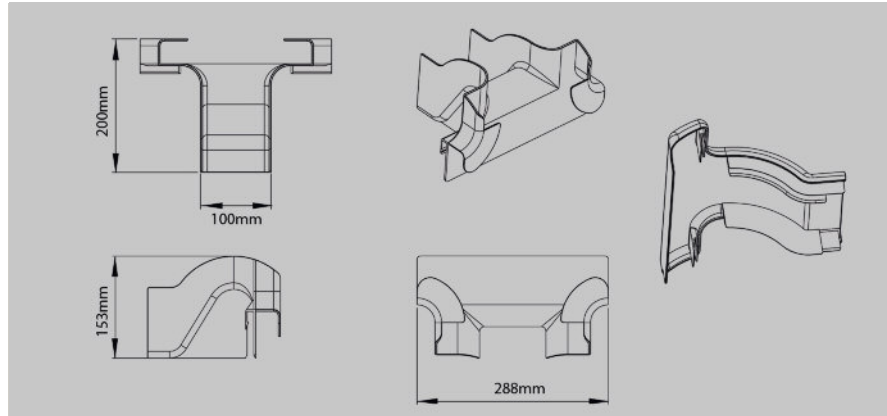
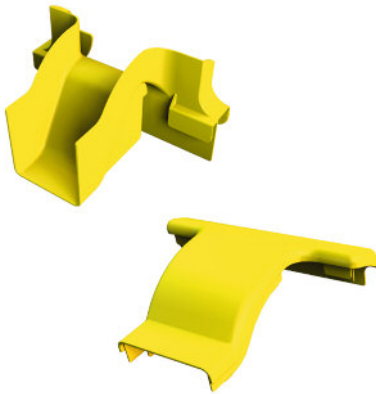
The horizontal elbow establishes a cable route around the corner.

Parts & Ordering Information

Description	Weight (net./gross)	Packing Unit	Type	ec-Article Nr.:
Horizontal Elbow 45°, 160mm wide	0.26/0.27	1 pc.	CPHE45-16-YE	EC12.000000.111
Horizontal Elbow 45°, 300mm wide	0.56/0.57	1 pc.	CPHE45-30-YE	EC12.000000.112
Cover for Horizontal Elbow 45°, 160mm wide	N/A	1 pc.	CPHE45C-16-YE	EC12.000000.113
Cover for Horizontal Elbow 45°, 300mm wide	N/A	1 pc.	CPHE45C-30-YE	EC12.000000.114
Horizontal Elbow 90°, 160mm wide	0.75/0.85	1 pc.	CPHE90-16-YE	EC12.000000.111
Horizontal Elbow 90°, 300mm wide	1.38/1.40	1 pc.	CPHE90-30-YE	EC12.000000.112
Cover for Horizontal Elbow 90°, 160mm wide	N/A	1 pc.	CPHE90C-16-YE	EC12.000000.113
Cover for Horizontal Elbow 90°, 300mm wide	N/A	1 pc.	CPHE90C-30-YE	EC12.000000.114

S-EN-A01-07/10-001

Components & Dimensions

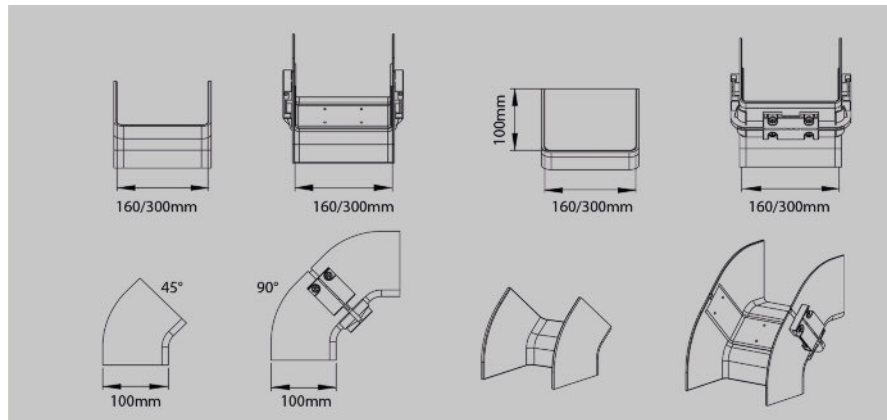
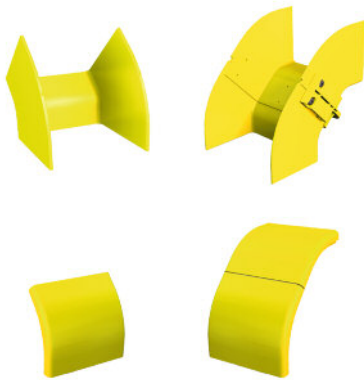


Outlet Drop-Off Kit

The Outlet Drop-Off Kit provides a cable exit from the ducts. It is only available as a kit. This kit contains additionally a 100mm joiner and a 100mm trumpet.

Parts & Ordering Information

Description	Weight (net./gross)	Packing Unit	Type	ec-Article Nr.:
Drop Off Kit	0.50/0.70	1 pc.	CPODO-10-YE	EC12.000000.120
Cover for Drop Off Kit	N/A	1 pc.	CPODOC-10-YE	EC12.000000.121



Vertical Inside Elbow

The Vertical Inside Elbow establishes a vertical cable route around the corner, usually in a downward direction. To connect other parts with the Vertical Inside Elbow, 2pcs. of joiners are necessary.

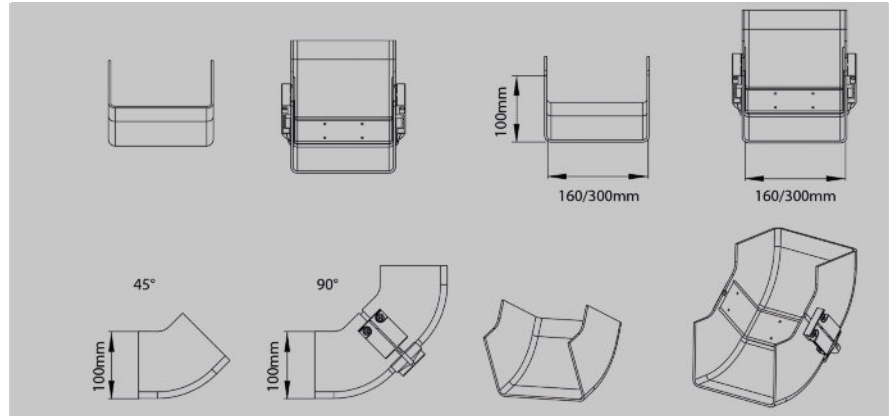
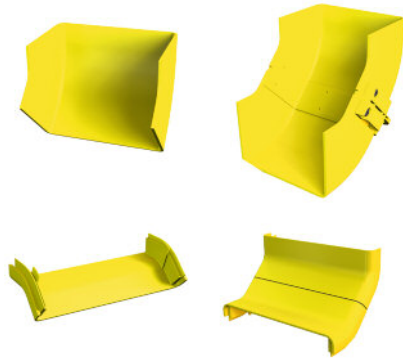
Parts & Ordering Information

Description	Weight (net./gross)	Packing Unit	Type	ec-Article Nr.:
Vertical Inside Elbow 45°, 100mm wide	0.12/0.13	1 pc.	CPIE45-10-YE	EC12.000000.121
Vertical Inside Elbow 45°, 160mm wide	0.10/0.17	1 pc.	CPIE45-16-YE	EC12.000000.122
Vertical Inside Elbow 45°, 300mm wide	0.24/0.25	1 pc.	CPIE45-30-YE	EC12.000000.123
Cover for Vertical Inside Elbow 45°, 160mm wide	N/A	1 pc.	CPIE45-16-YE	EC12.000000.124
Cover for Vertical Inside Elbow 45°, 300mm wide	N/A	1 pc.	CPIE45-30-YE	EC12.000000.125
Vertical Inside Elbow 90°, 160mm wide	0.55/0.70	1 pc.	CPIE90-16-YE	EC12.000000.125
Vertical Inside Elbow 90°, 300mm wide	0.74/0.76	1 pc.	CPIE90-30-YE	EC12.000000.127
Cover for Vertical Inside Elbow 90°, 160mm wide	N/A	1 pc.	CPIE90-16-YE	EC12.000000.128
Cover for Vertical Inside Elbow 90°, 300mm wide	N/A	1 pc.	CPIE90-30-YE	EC12.000000.129

Cable Path

Cable ducting for Central Office & Datacenter

Components & Dimensions

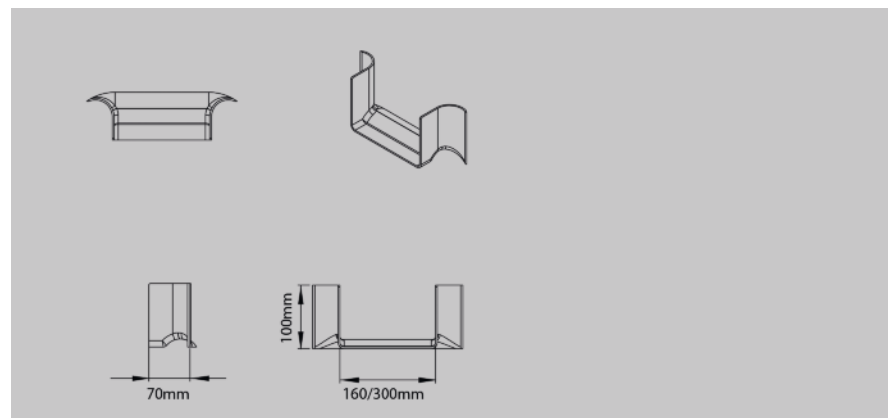


Vertical Outside Elbow

The Vertical Outside Elbow establishes a vertical cable route around the corner, usually in an upward direction. To connect other parts with the Vertical Outside Elbow, 2pcs. of joiners are necessary.

Parts & Ordering Information

Description	Weight (net./gross)	Packing Unit	Type	ec-Article Nr.:
Vertical Outside Elbow 45°, 160mm wide	0.20/0.22	1 pc.	CPOE45-16-YE	EC12.000000.122
Vertical Outside Elbow 45°, 300mm wide	0.33/0.35	1 pc.	CPOE45-30-YE	EC12.000000.123
Cover for Outside Inside Elbow 45°, 160mm wide	N/A	1 pc.	CPOE45C-16-YE	EC12.000000.124
Cover for Outside Inside Elbow 45°, 300mm wide	N/A	1 pc.	CPOE45C-30-YE	EC12.000000.125
Vertical Outside Elbow 90°, 160mm wide	0.63/0.65	1 pc.	CPOE90-16-YE	EC12.000000.125
Vertical Outside Elbow 90°, 300mm wide	0.93/0.95	1 pc.	CPOE90-30-YE	EC12.000000.127
Cover for Vertical Outside Elbow 90°, 160mm wide	N/A	1 pc.	CPOE90C-16-YE	EC12.000000.128
Cover for Vertical Outside Elbow 90°, 300mm wide	N/A	1 pc.	CPOE90C-30-YE	EC12.000000.129



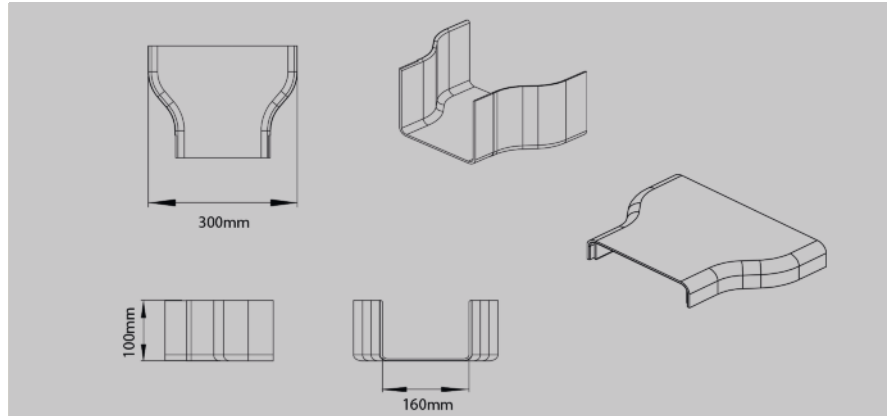
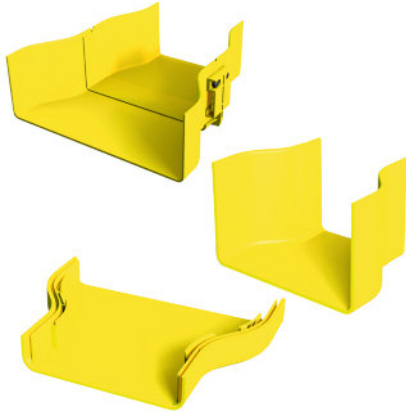
Trumpet

The Trumpet provides a cable exit or entry to the cable ducts. It ensures that the cable's minimum bending radius is always maintained. To connect other parts with the trumpet, 1pc. of joiner is necessary

Parts & Ordering Information

Description	Weight(net./gross)	Packing Unit	Type	ec-Article Nr.:
Trumpet, 160mm wide	0.14/0.15	1 pc.	CPT-16-YE	EC12.000000.140
Trumpet, 300mm wide	0.31/0.33	1 pc.	CPT-30-YE	EC12.000000.141

Components & Dimensions

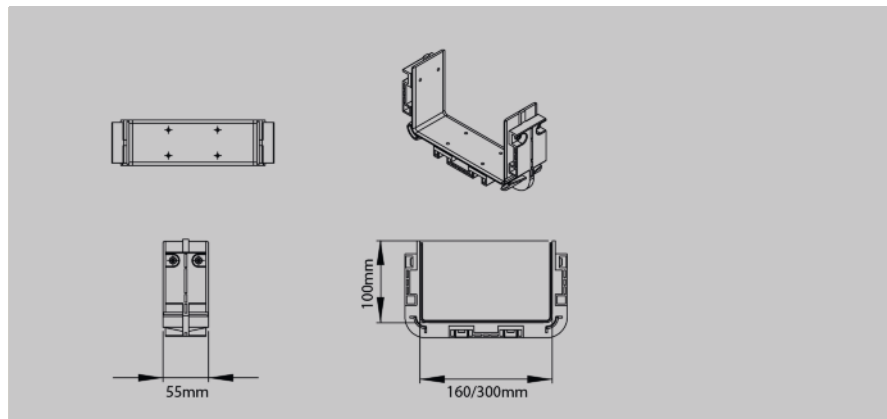
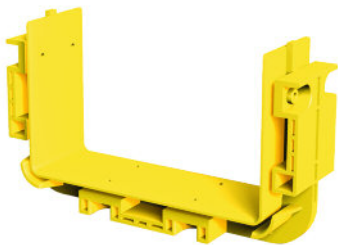


Reducer

The reducer combines sections of 300mm Cable Path elements with 160mm elements. To connect other parts with the reducer, 2pcs. of joiners are necessary

Parts & Ordering Information

Description	Weight (net./gross)	Packing Unit	Type	ec-Article Nr.:
Reducer, 300mm to 160mm wide	0.85/0.86	1 pc.	CPRE-3016-YE	EC12.000000.142
Cover for Reducer, 300mm to 160mm wide	N/A	1 pc.	CPREC-3016-YE	EC12.000000.143



Joiner

The joiner connects two elements of the Cable Path System. No drilling is required

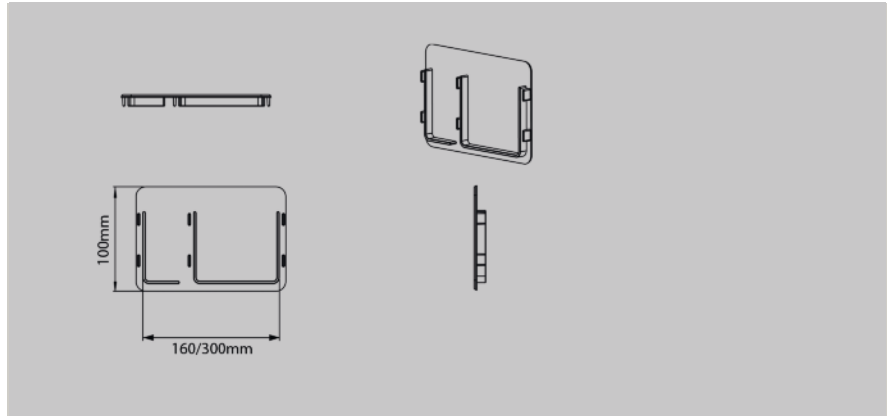
Parts & Ordering Information

Description	Weight (net./gross)	Packing Unit	Type	ec-Article Nr.:
Joiner, 100mm wide	0.22/0.24	1 pc.	CPJO-10-YE	EC12.000000.144
Joiner, 160mm wide	0.20/0.30	1 pc.	CPJO-16-YE	EC12.000000.145
Joiner, 300mm wide	0.28/0.29	1 pc.	CPJO-30-YE	EC12.000000.146

Cable Path

Cable ducting for Central Office & Datacenter

Components & Dimensions

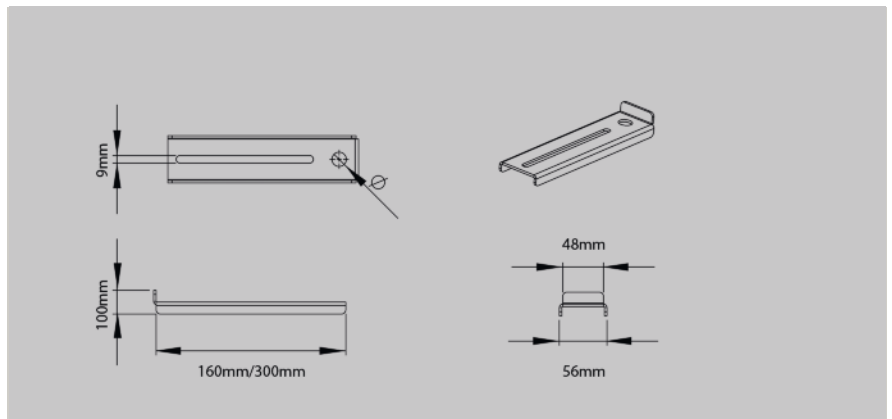


End Cap

The End Cap is used to terminate the Cable Path run.

Parts & Ordering Information

Description	Weight (net./gross)	Packing Unit	Type	ec-Article Nr.:
End Cap, 160mm wide	0.10/0.20	1 pc.	CPEC-16-YE	EC12.000000.147
End Cap, 300mm wide	1.60/1.70	1 pc.	CPEC-30-YE	EC12.000000.148



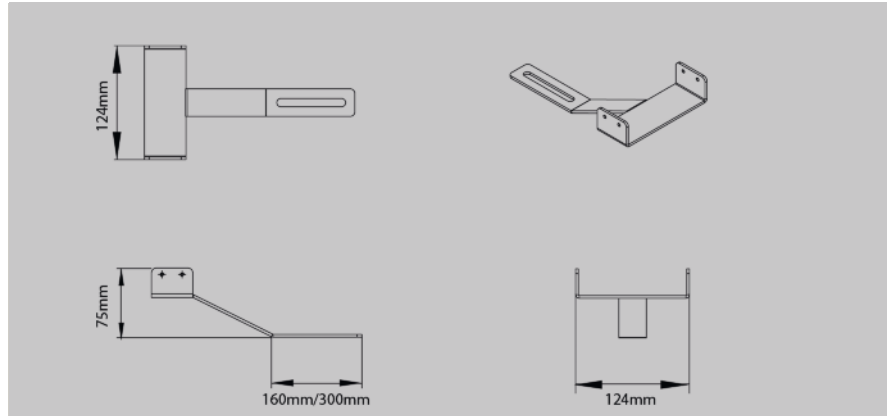
Threaded Rod Attachment bracket

The Threaded Rod Attachment bracket is the standard mounting element for the Cable Path elements. It is recommended to use this element at regular spaces of 900mm of the ducting system. The package consists of the metal bracket and two fixing screws. Please note: The brackets do not include any threaded rod.

Parts & Ordering Information

Description	Weight (net./gross)	Packing Unit	Type	ec-Article Nr.:
Threaded Rod Attachment bracket, 160mm wide	0.40/0.50	1 pc.	CPDOB-16	EC12.000000.149
Threaded Rod Attachment bracket, 300mm wide	0.55/0.65	1 pc.	CPDOB-30	EC12.000000.150

Components & Dimensions



Outlet Drop-Off Support bracket

This element is used for mounting and supporting the Outlet Drop-Off Element

Parts & Ordering Information

Description	Weight (net./gross)	Packing Unit	Type	ec-Article Nr.:
Outlet Drop-Off Support bracket, 160mm wide	0.30/0.40	1 pc.	CRAB-16	EC12.000000.151
Outlet Drop-Off Support bracket, 300mm wide	0.38/0.40	1 pc.	CRAB-30	EC12.000000.152

Installation examples



Datacenter Installation

Horizontal Elbows are used to build the cable path route around a pillar



Datacenter Installation

A 90° Horizontal Elbow is used to build the cable path route around the corner. A T-Element every two meters establishes the connection with each lane.