

Fiber Termination Wall Box 4 Core

FTWB4 for SCsx Adapters

Field of Application

Designed for FTTH applications, the Fiber Termination Wall Box 4 Core is used to terminate optical cables to pigtails at the subscriber's premises. It is mounted on the wall. The cable is fed to the wall outlet from the back. A patchcord leads from the wall outlet to the active equipment (CPE - Customer Premises Equipment)

Features

- Accommodation of 4 adapters
- Easy installation
- Suitable for SCsx and LCdx adapters
- Easy click-in cover mounting
- Hinged and detachable splice cassette



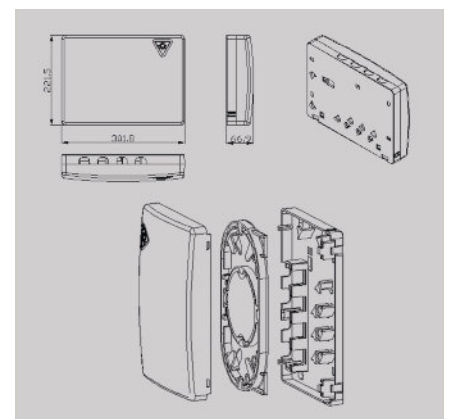
Product description

Fiber Termination Wall Box 4 Core

The Fiber Termination Wall Box 4 Core is used to terminate optical installation cables to pigtails at the subscriber's premises. It is mounted on the wall. The cable is fed to the wall outlet from the side. The wall outlet consists of the body, and a cover. The body is fixed to the wall with screws and is used for inserting and routing the optical installation cable and for mounting the optical adapters. It also accommodates the splice cassette. A chamber inside the splice cassette allow fixing the splice protection sleeve inside the body. A cable guidance ensures that the cable's minimum bending radius is always maintained. The cover protects the contents of the wall outlet and is fixed to the wall outlet without screws just by a simple click-in mechanism. The wall outlet is made of White ABS (RAL 9003)

Technical specifications

Material	ABS/PC
Color	White (RAL 9003)
Operating temperature	-40°C to +65°C
Flammability	UL94 V0
IP Protection class	IP52
Dimensions	150mm x 110mm x 33mm (L x W x D)
Weight	136 grams



Pictures



Main unit with splice unit

Main unit with adapter accommodation and shut splice unit



Main unit with open splice unit

Mounting bar for adapter accommodation, hinged splice unit is opened, behind the adapters there is a pigtail guidance



Assembled FTWB4

Ready for wall mounting

Packing

Each Fiber Termination Wall Box is packed in one cardboard box.

Box dim.: 156mm x 117mm x 36mm
Gross weight: 186 grams

Scope of delivery

1 pc	Fiber Termination Wall Box body
1 pc	Mounting kit including installation guide
4 pcs.	Shrink splice protection
4 pcs	Optical adapters (if ordered)
4 pcs	Pigtails (if ordered)

All assembled versions of the Wall Outlet Standard include inserted adapters as well as dismantled and inserted pigtails

Ordering Information

Empty Fiber Termination Wall Box 2 Core

Description	Type	ec-Article Nr.:
Fiber Termination Wall Box 4 Core, empty	FTWB4/E4SCSX	EC05.200020.001

Assembled with adapters only

FTWB2WOST with 4 SC/UPCsx adapter, blue	FTWB4/4SCUSX	EC05.200020.003
FTWB2WOST with 4 SC/UPCsx swing shutter adapter, blue	FTWB4/4SCUSXS	EC05.200002.002
FTWB2WOST with 4 FC/UPCsx adapter, blue	FTWB4/4FCUSX	EC05.200020.005
FTWB2WOST with 4 SC/APCsx adapter, green	FTWB4/4SCASX	EC05.200020.004
FTWB2WOST with 4 SC/APCsx swing shutter adapter, green	FTWB4/4SCASXS	EC05.200020.011
FTWB2WOST with 4 FC/APCsx adapter, green	FTWB4/4FCASX	EC05.200020.006

Assembled with adapters and pigtails

FTWB2WOST with 4 SC/UPCsx adapter + pigtail, blue	FTWB4/4SCUSX-4PTU	EC05.200020.007
FTWB2WOST with 4 SC/UPCsx swing shutter adapter + pigtail, blue	FTWB4/4SCUSXS-4PTU	EC05.200020.012
FTWB2WOST with 4 FC/UPCsx adapter + pigtail, blue	FTWB4/4FCUSX-4PTU	EC05.200020.009
FTWB2WOST with 4 SC/APCsx adapter + pigtail, green	FTWB4/4SCASX-4PTA	EC05.200020.008
FTWB2WOST with 4 SC/APCsx swing shutter adapter + pigtail, green	FTWB4/4SCASXS-4PTA	EC05.200020.013
FTWB2WOST with 4 FC/APCsx adapter + pigtail, green	FTWB4/4FCASX-4PTA	EC05.200020.010