

Plastic Wall Mount Closure

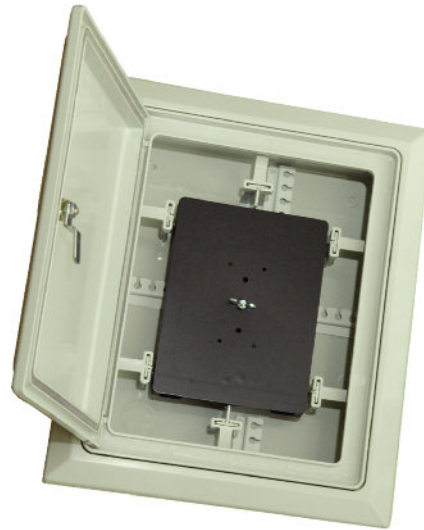
for Indoor or Outdoor use

Field of Application

The euroclust Plastic Wall Mount Closure is designed as a splice-through cabinet to terminate the optical outdoor cable to the indoor installation cable. The main application field is in FTTH networks.

Features

- Indoor or outdoor installation possible
- On-wall or in-wall installation possible
- Accommodation of up to three pcs. of ec2 splice cassette



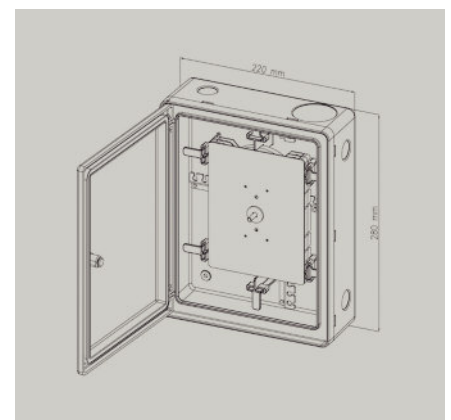
Product description

Plastic Wall Mount Closure

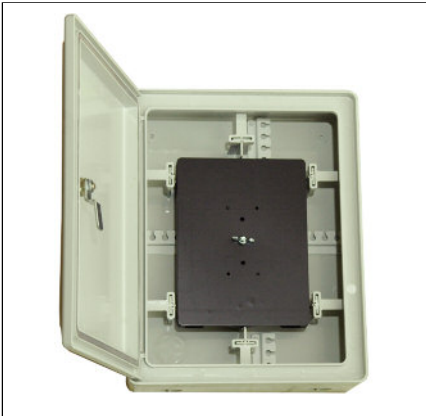
The Plastic Wall Mount Closure 24/48 consists of a chassis with a door (inside hinges on the left and silicon sealant). The door is equipped with a cylindrical lock to avoid unauthorized access. When mounting the Plastic Wall Mount Closure in-wall, an additional frame will be attached to the body. This distribution cabinet has two inlet/outlet ports for the optical cable (1x $\varnothing 2$ mm and 1x $\varnothing 2.7$ mm) for PG16 cable gland on the top. Additionally it has two holes ($\varnothing 2,7$) mm for PG16 cable gland on the left and on the right as well as on the bottom. Each hole is only marked for drilling. The bottom of the chassis is designed for mounting, routing and storage of excess optical cables. All components ensure a minimum bending radius of at least 35 mm. The splice cassettes (up to 3) with a cover are mounted on the holder with a screw and a M5 nut. Each Splice cassette contains 1 or 2 pieces of 12-core splice protection holders (suitable for heat-shrink splice protection sleeved with an outer diameter of 2.5 mm).

Technical specifications

Material	ABS Resin (acc. to EC directive CE no. 1935/2004 and CE no. 852/2004)
Color	Light grey (RAL 7035)
Operating temperature	-40°C to +75°C
Flammability	UL 94 1/8" class HB / UL 94 1/16" class HB
IP Protection class	54 (according IEC 60529)
Dimensions	220mm x 280mm (WxH) 271mm x 331mm (WxH - with frame)
UV stability	100%
Weight	1,1 kilograms (without splice cassettes)



Pictures



Opened closure, without frame

Closure with installed ec2 splice cassette and cable guidance



Shut closure, without frame

Closure without frame for on-wall mounting, with lock and key



Shut closure, with frame

Closure with frame for in-wall mounting, with lock and key

Packing Information

6 pcs. of Plastic Wall Mount Closures are packed in one cardboard box

Scope of Delivery

1 pc. of Plastic Wall Mount Closure
1 set of mounting material (for mounting the closure to the wall)
1 pc. of M5 nut for splice cassette mounting

Ordering Information

Plastic Wall Mount Closure

Description	Type	ec-Article Nr.:
Plastic Wall Mount Closure with frame	PWMCF-T2/2448	EC03.300030.002