

## Wall Outlet Standard

TBWO for SC/LC adapters

### Field of Application

Designed for FTTH applications, the Wall Outlet Standard is used to terminate optical cables to pigtails at the subscriber's premises. It is mounted on the wall. The cable is fed to the wall outlet from the top side, bottom side or from the back. A patchcord leads from the wall outlet to the active equipment (CPE - Customer Premises Equipment)

### Features

- Hinged/detachable splice cassette
- Detachable cap
- Compact design
- Separate fiberguiding
- Suitable for heat-shrinkable splice-protection as well as for mechanical splice protection



### Components

#### Wall Outlet Standard TBWO

The Wall Outlet Standard is used to terminate optical installation cables to pigtails at the subscriber's premises. It is mounted on the wall. The cable is fed to the wall outlet from the left side, right side or from the back. The wall outlet consists of body, splice cassette, cover and lid. The body is fixed to the wall with screws and is used for entrance and routing of the optical installation cable and mounting of optical adapters. The purpose of the splice cassette is to take excess lengths of the incoming optical cables as well as the pigtails and to fix splice protectors (1-2 pcs). Heat-shrink splice protectors or cold splice protectors (mechanical splices) can be fixed easily on the splice cassette. A cover protects the contents of the wall outlet and is fixed to the wall outlet with 2 M4 screws. An easily removable lid protects the patch cord connectors. Optionally, a customer logo can be placed on the lid. The construction of the wall outlet ensures a minimum bending radius for the pigtails of  $R = 30$  mm and prevents disconnection of patchcord connectors without removing the lid. The wall outlet is made of White (RAL 9010) high heat and high impact resistant Polystyrene (PS454C).

#### Optical Adapter

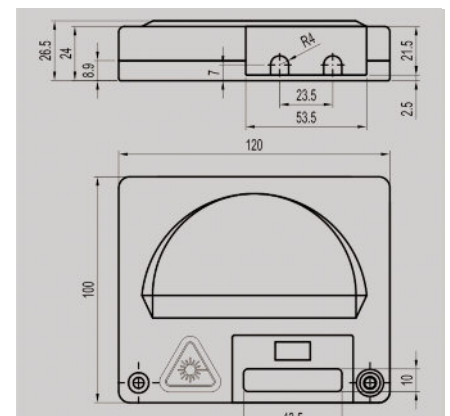
SCsx adapter type (UPC or APC Version) with plastic housing and ceramic sleeve (ZrO<sub>2</sub>); IEC 61754-4, TIA 604-3 compliant

#### Pigtail

Semi-TB construction with 900µm outer diameter and 1m length. Fiber type 9/125, G657.A, IEC 61754-4, TIA 604-3 compliant  
UPC Version ( $IL \leq 0,3$ dB;  $RL \geq -50$ dB) or APC Version ( $IL \leq 0,3$ dB;  $RL \geq -65$ dB)

### Technical specifications

Material	ABS
Color	White (RAL 9010)
Operating temperature	-40°C to +75°C (acc. EN 60068-2-1 and EN 60068-2-1)
Flammability	UL94 HB
IP Protection class	IP53 (according IEC 60529)
Dimensions	120mm x 100mm x 26,5mm (LxWxH)
Weight	95 grams (without adapters and pigtails)



Accessories

**Storage Box for Wall Outlet Standard**

The Storage Box is mounted between the Wall Outlet Standard and the wall and is designed for overlength storage of the incoming cable which will be fed into the wall outlet. The cable can be guided into the storage box either from the left or the right side of the storage box, if the cable is installed on-wall, as well as from the back side of the storage box if the cable is installed in-wall. The storage box can accommodate an overlength of 4 meters (duplex cable) or 8 meters (simplex cable). Its shape assures a minimum bending radius of 30mm



**Heat-shrink splice protection (fusion splice protection)**

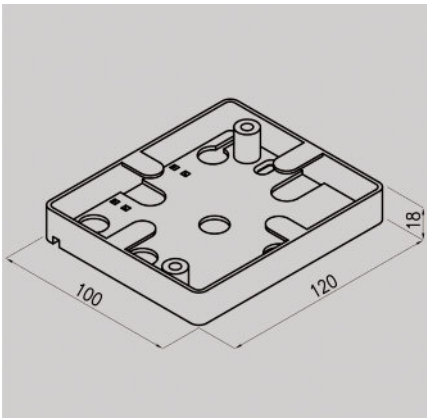
The Wall Outlet Standard is designed to use heat-shrink splice protection sleeves with a length of 40mm and a diameter of 2.5mm. This item is part of euroclust's Cable Management product line and has to be ordered separately (see ordering information)

**Cold splice protection (mechanical splice protection)**

The Wall Outlet Standard is designed to use cold splice protection sleeves with a dimension of 4.5mm x 4.5mm x 4.5mm. This item has to be ordered separately

**Pluggable shutter for SC adapters**

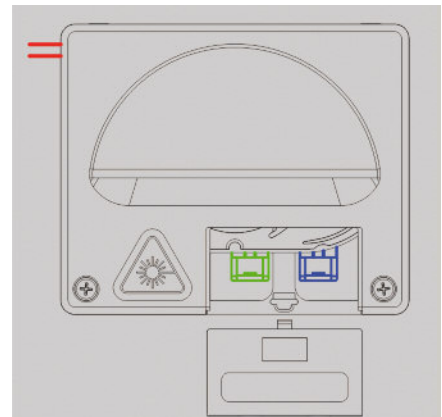
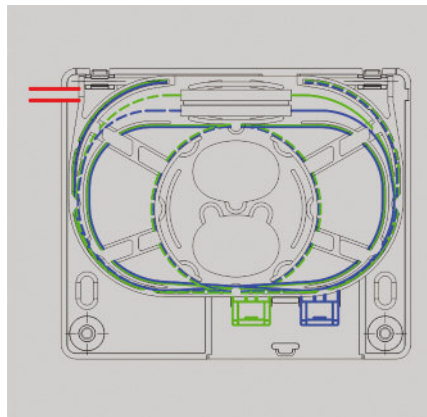
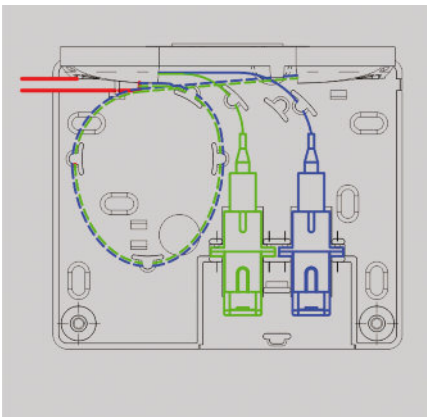
euroclust offers you a pluggable shutter, which can be attached to a conventional SCsx/dx adapter



Storage Box - Technical specifications

Material	ABS
Color	White (RAL 9010)
Mounting	The wall outlet is attached with M4 screws
Storage capacity	4 meters (duplex cable), 8 meters (simplex cable)
IP Protection class	IP53 (according IEC 60529)
Dimensions	120mm x 100mm x 18mm (LxWxH)
Weight	40 grams (net.)/50 grams (gross.)

Installation



**SCsx adapters**

Bottom of TBWO with two installed SCsx adapters

**Splice cassette**

Pigtail guiding within hinged and detachable splice cassette

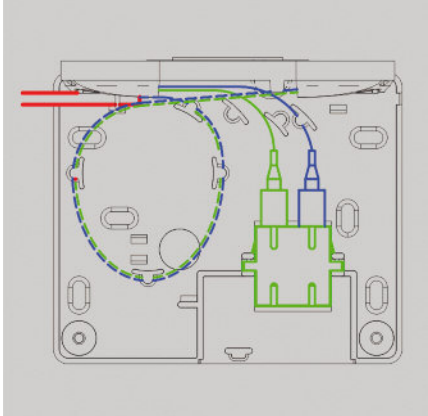
**Assembled TBWO**

Wall Outlet Standard with cover

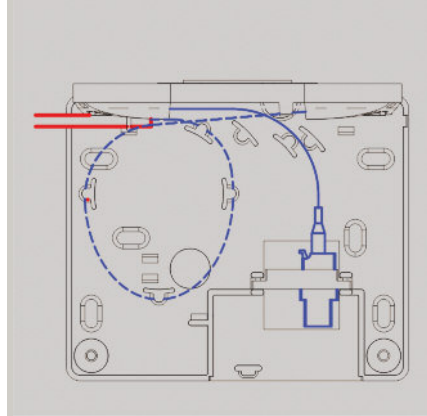
# Wall Outlet Standard

TBWO for SC/LC adapters

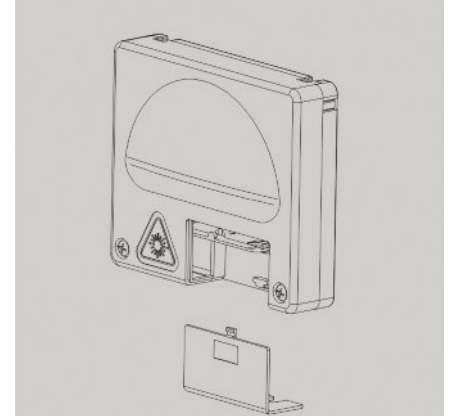
## Installation



**SCdx adapter**  
Bottom of TBWO with one installed SCdx adapter.



**LCsx adapter**  
Bottom of TBWO with one installed LCsx adapter.



**Assembled TBWO**  
Ready for wall mounting

## Packing

The Wall Outlet is protected with a plastic bag included mounting kit.

## Scope of delivery

- 1 pc Wall outlet body
- 1 pc Mounting Kit
- 1-2 pcs optical adapters (if ordered)
- 1-2 pcs pigtails (if ordered)

All assembled versions of the Wall Outlet Standard include inserted adapters as well as dismantled and inserted pigtails

## Ordering Information

### Empty Wall Outlet

Description	Type	ec-Article Nr.:
Wall Outlet Standard, empty	TBWOS/E2SCSX	EC05.200000.001

### Assembled with adapters only

Wall Outlet Standard with 1 SC/UPC adapter		EC05.200001.011
Wall Outlet Standard with 1 SC/APC adapter		EC05.200001.013
Wall Outlet Standard with 1 SC/UPC swing shutter adapter		EC05.200001.039
Wall Outlet Standard with 1 SC/APC swing shutter adapter		EC05.200001.041
Wall Outlet Standard with 1 SC/UPC and 1 SC/APC adapter		EC05.200001.001
Wall Outlet Standard with 1 SC/UPC and 1 SC/APC swing shutter adapter		EC05.200001.033
Wall Outlet Standard with 1 SC/UPCdx adapter		EC05.200001.007
Wall Outlet Standard with 1 SC/APCdx adapter		EC05.200001.009
Wall Outlet Standard with 1 LC/UPC adapter		EC05.200001.015
Wall Outlet Standard with 1 LC/APC adapter		EC05.200001.018
Wall Outlet Standard with 1 LC/UPC and 1 LC/APC adapter		EC05.200001.019
Wall Outlet Standard with 2 SC/UPC adapters		EC05.200001.003
Wall Outlet Standard with 2 SC/APC adapters		EC05.200001.005

## Ordering Information

### Assembled with adapters only

Description	Type	ec-Article Nr.:
Wall Outlet Standard with 2 SC/UPC <sub>sx</sub> swing shutter adapter		EC05.200001.035
Wall Outlet Standard with 2 SC/APC <sub>sx</sub> swing shutter adapter		EC05.200001.037
Wall Outlet Standard with 2 LC/UPC <sub>sx</sub> adapter		EC05.200001.021
Wall Outlet Standard with 2 LC/APC <sub>sx</sub> adapter		EC05.200001.023

### Assembled with adapters and pigtails

Wall Outlet Standard with 1 SC/UPC <sub>sx</sub> adapter + pigtail		EC05.200001.012
Wall Outlet Standard with 1 SC/APC <sub>sx</sub> adapter + Pigtail		EC05.200001.014
Wall Outlet Standard with 1 SC/UPC <sub>sx</sub> swing shutter adapter + pigtail		EC05.200001.040
Wall Outlet Standard with 1 SC/APC <sub>sx</sub> swing shutter adapter + pigtail		EC05.200001.042
Wall Outlet Standard with 1 SC/UPC <sub>dx</sub> adapter + 2 pigtails		EC05.200001.008
Wall Outlet Standard with 1 SC/APC <sub>dx</sub> adapter + 2 pigtails		EC05.200001.010
Wall Outlet Standard with 1 LC/UPC <sub>sx</sub> adapter + pigtail		EC05.200001.016
Wall Outlet Standard with 1 LC/APC <sub>sx</sub> adapter + pigtail		EC05.200001.018
Wall Outlet Standard with 1 SC/UPC and 1 SC/APC <sub>sx</sub> adapter + 2 pigtails		EC05.200001.002
Wall Outlet Standard with 1 SC/UPC and 1 SC/APC <sub>sx</sub> swing shutter adapter + 2 pigtails		EC05.200001.034
Wall Outlet Standard with 1 LC/UPC <sub>sx</sub> and 1 LC/APC <sub>sx</sub> adapter + 2 pigtails		EC05.200001.020
Wall Outlet Standard with 2 SC/UPC <sub>sx</sub> adapters + 2 pigtails		EC05.200001.004
Wall Outlet Standard with 2 SC/APC <sub>sx</sub> adapters + 2 pigtails		EC05.200001.006
Wall Outlet Standard with 2 SC/UPC <sub>sx</sub> swing shutter adapters + 2 pigtails		EC05.200001.036
Wall Outlet Standard with 2 SC/APC <sub>sx</sub> swing shutter adapters + 2 pigtails		EC05.200001.038
Wall Outlet Standard with 2 LC/UPC <sub>sx</sub> adapters + 2 pigtails		EC05.200001.022
Wall Outlet Standard with 2 LC/APC <sub>sx</sub> adapters + 2 pigtails		EC05.200001.024

### Accessories

Overlength Storage Box		EC05.200000.010
Shrink splice protector transparent, length 40mm, diameter 2.5	SP/F40/2,5A	EC03.102040.036
Pluggable shutter for SC <sub>sx</sub> adapter, blue	DC.SCR.SX.PBL	EC02.320082.002
Pluggable shutter for SC <sub>sx</sub> adapter, green	DC.SCR.SX.PGN	EC02.320082.003
Pluggable shutter for SC <sub>dx</sub> adapter, blue	DC.SCR.DX.PBL	EC02.330083.002
Pluggable shutter for SC <sub>dx</sub> adapter, green	DC.SCR.DX.PGN	EC02.330083.003