

Adapter FC-Type

Applications:

CATV
LAN & WAN
Network
Broadband
FTTx

euroclust offers a full line of fibre optic adapters for every application including flanged threaded, metal, composite and hybrid or plug varieties. Available in simplex, duplex, with ceramic (Zirconia) or Phosphor - Bronze sleeve for high precision alignment. All kind of adapters meet different demands for fibre optic applications according to international industry standards.

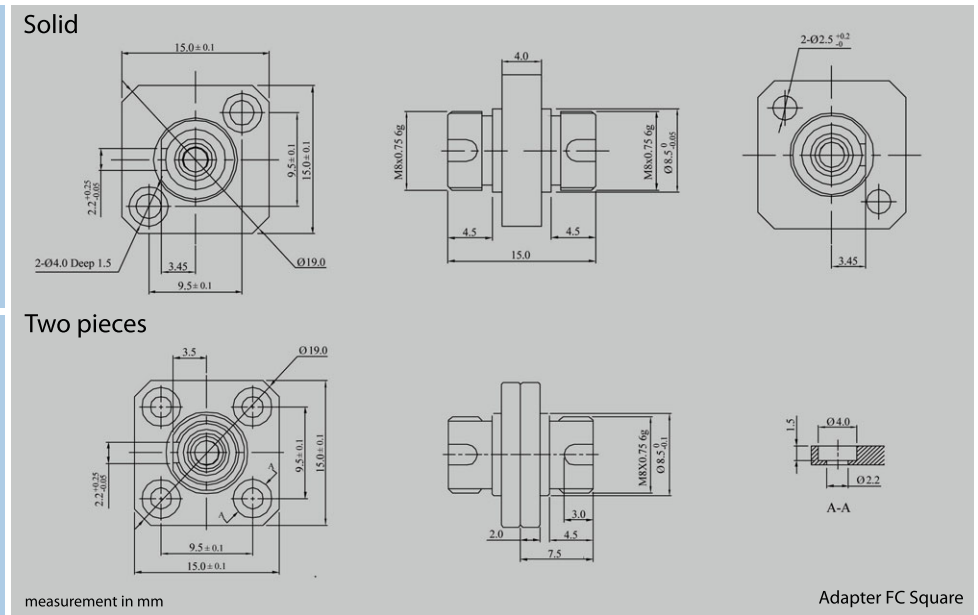
Specification

Item	Parameters
Insertion Loss I.L.	<=0,2 dB
Durability (500 Mating)	0,2 dB max Increase
Withdrawal Force (g/f)	100 - 300
Operating Temperature	-25 ... + 70°C

Features

Available in square, D and H-shaped and Rectangular mount
Metal Body for long life - more than 1000 matings
Screw-type locking stable and reliable
D and H shaped easily installs into panel mount
Compliance to JIS5970 and Bellcore GR-326 standards

FC Square



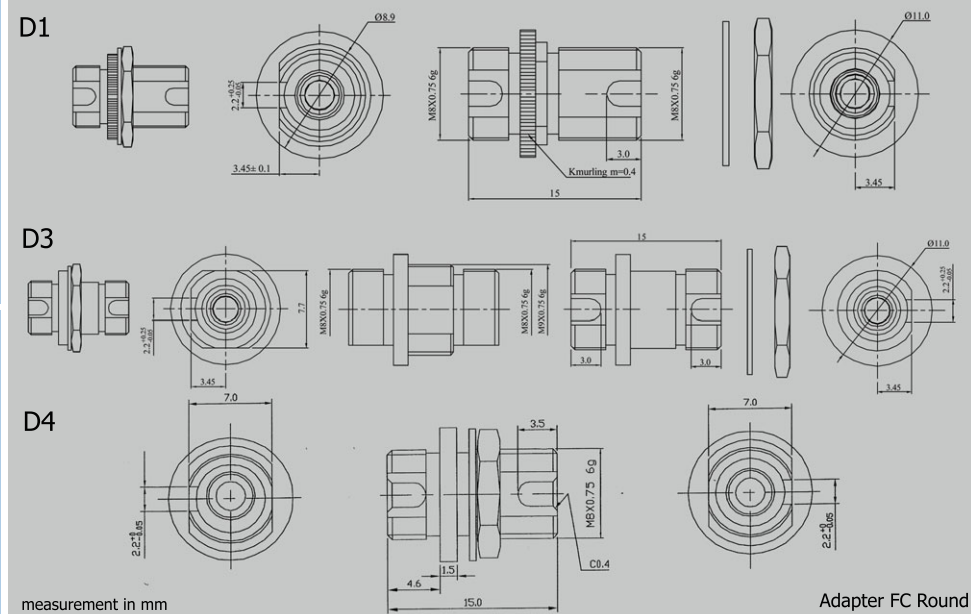
Housing	Alignmet sleeve	Housing shape	Mounting	Appliance	Type	Article Nr.:
Metal	PhBz	Solid	Screw	MM	AD.FCB.SQSO.MMT	EC02.310201.001
Metal	Ceramic	Solid	Screw	SM	AD.FCZ.SQSO.MMT	EC02.310101.001
Metal	Ceramic	Solid	Screw	SM/APC	AD.FCZ.SQSO.MMTA	EC02.310101.002
Metal	PhBz	two pieces	Screw	MM	AD.FCB.SQTW.MMT	EC02.310202.001
Metal	Ceramic	two pieces	Screw	SM	AD.FCZ.SQTW.MMT	EC02.310102.001
Metal	Ceramic	two pieces	Screw	SM/APC	AD.FCZ.SQTW.MMTA	EC02.310102.002

Screw mounting method/mounting screws for square/rectangular adapter

Description	Size	Max. wall thickness	Type	Article Nr.:
Philips head screw	M 2x8	1,5 mm	APHSN2x8	EC02.300090.001
Hexagonal nut	M2	1,5 mm	APHNM2	EC02.300090.003
Self tapping screw	M2,2x4,5 mm	1,5 mm	ASTS2,2x4,5	EC02.300090.002

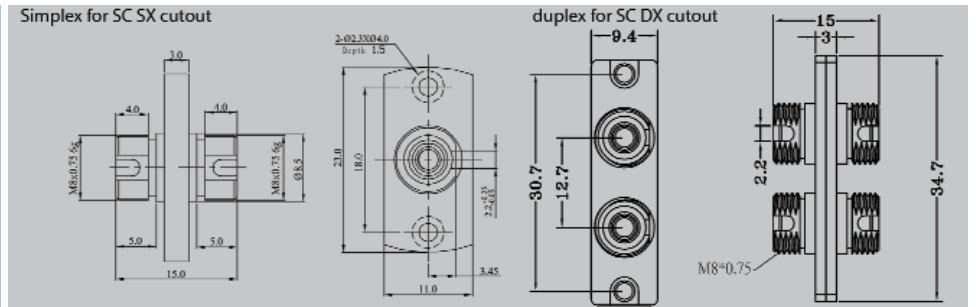
Adapter FC-Type

FC round



Housing	Alignmet sleeve	Housing shape	Mounting	Appliance	Type	Article Nr.:
Metal	PhBz	D1	Screw	MM	AD.FCB.RD01.MMT	EC02.310203.007
Metal	Ceramic	D1	Screw	SM	AD.FCZ.RD01.MMT	EC02.310103.007
Metal	Ceramic	D1	Screw	SM/APC	AD.FCZ.RD01.MMTA	EC02.310103.004
Metal	PhBz	D3	Screw	MM	AD.FCB.RD03.MMT	EC02.310205.007
Metal	Ceramic	D3	Screw	SM	AD.FCZ.RD03.MMT	EC02.310105.007
Metal	Ceramic	D3	Screw	SM/APC	AD.FCZ.RD03.MMTA	EC02.310105.004
Metal	PhBz	D4	Screw	MM	AD.FCB.RD04.MMT	EC02.310206.007
Metal	Ceramic	D4	Screw	SM	AD.FCZ.RD04.MMT	EC02.310106.007
Metal	Ceramic	D4	Screw	SM/APC	AD.FCZ.RD04.MMTA	EC02.310106.004

FC Rectangular



Housing	Alignmet sleeve	Housing color	Mounting	Appliance	Type	Article Nr.:
<i>Simplex:</i>						
Metal	PhBz	Metal	Screw	MM	AD.FCB.RECT.MMT	EC02.310210.007
Metal	Ceramic	Metal	Screw	SM	AD.FCZ.RECT.MMT	EC02.310110.007
Metal	Ceramic	Metal	Screw	SM/APC	AD.FCZ.RECT.MMT	EC02.310110.004
<i>Duplex:</i>						
Metal	PhBz	Metal	Screw	MM	AD.FCB.DXST.MMT	EC02.510231.007
Metal	Ceramic	Metal	Screw	SM	AD.FCZ.DXST.MMT	EC02.510131.007
Metal	Ceramic	Metal	Screw	SM/APC	AD.FCZ.DXST.MMTA	EC02.510231.004

Adapter LC-Type

Applications:

Telecommunication
CATV
LAN & WAN
Network
Broadband
FTTx

euroclust offers a full line of fibre optic adapters for every application including flanged threaded, metal, composite and hybrid or plug varieties. Available in simplex, duplex, with ceramic (Zirconia) or Phosphor - Bronze sleeve for high precision alignment. All kind of adapters meet different demands for fibre optic applications according to international industry standards.

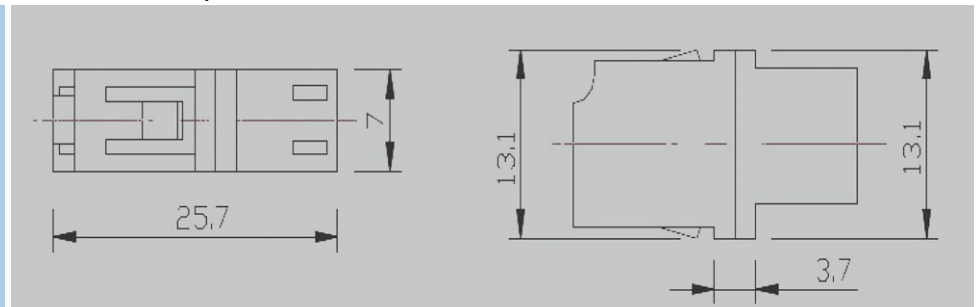
Specification

Item	Parameters
Insertion Loss I.L.	<=0,2 dB
Durability (500 Mating)	0,2 dB max Increase
Withdrawal Force (g/f)	100 - 300
Operating Temperature	-25 ... + 70°C

Features

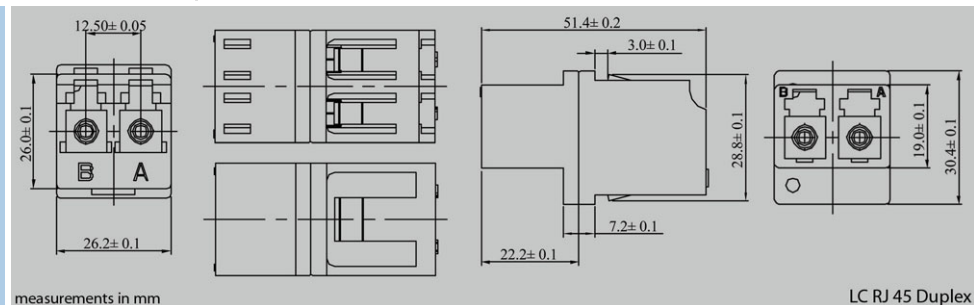
Duplex fits RJ-45 footprint
Increases panel density and quick plug installation
SC footprint for DX, more compact for most patch panels

LC RJ 45 Simplex



Housing	Alignmet sleeve	Housing color	Mounting	Appliance	Type	Article Nr.:
Plastic	PhBz	beige	Clip	MM	AD.LCB.SXMR.PBG	EC02.350241.010
Plastic	Ceramic	blue	Clip	SM	AD.LCZ.SXSR.PBL	EC02.350140.010

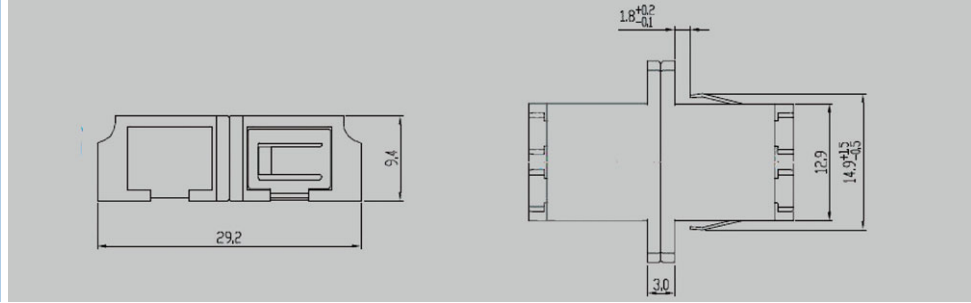
LC RJ 45 Duplex



Housing	Alignmet sleeve	Housing color	Mounting	Appliance	Type	Article Nr.:
Plastic	PhBz	beige	Clip	MM	AD.LCB.RJ45.PBG	EC02.350243.010
Plastic	Ceramic	blue	Clip	SM	AD.LCZ.RJ45.PBL	EC02.350142.010

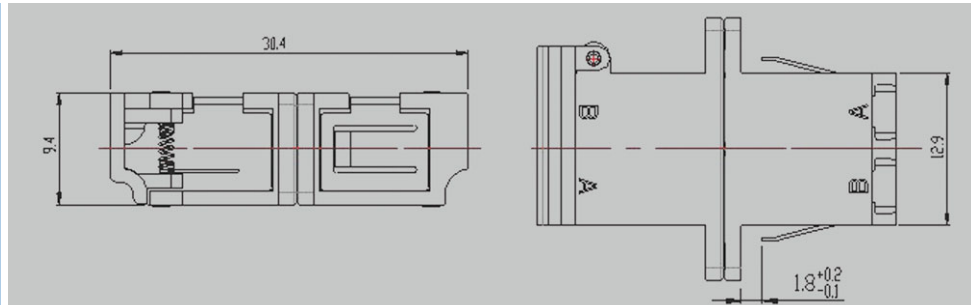
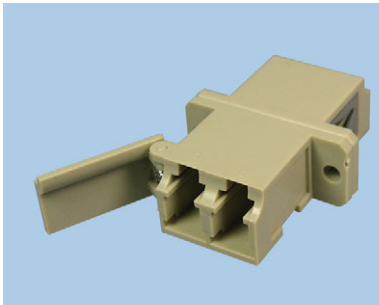
Adapter LC-Type

LC SC footprint Duplex



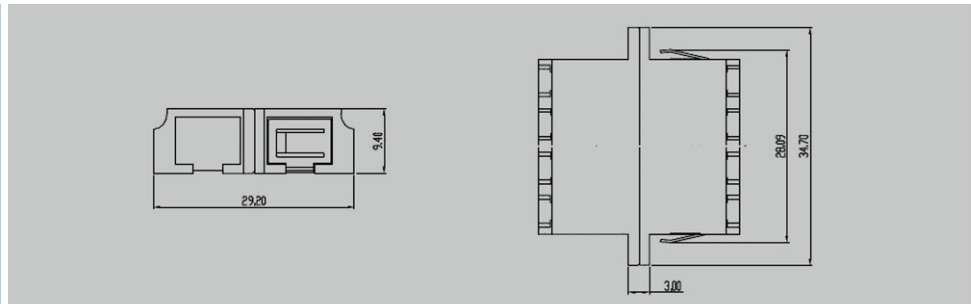
Housing	Alignmet sleeve	Housing color	Mounting	Appliance	Type	Article Nr.:
Plastic	PhBz	beige	Clip/Screw	MM	AD.LCB.DXMT.PBG	EC02.360245.010
Plastic	Ceramic	blue	Clip/Screw	SM	AD.LCZ.DXST.PBL	EC02.360144.010
Plastic	Ceramic	green	Clip/Screw	SM/APC	AD.LCZ.DXAT.PGN	EC02.360146.010
Metal	PhBz	metal	Clip/Screw	MM	AD.LCB.DXMT.MMT	EC02.360248.010
Metal	Ceramic	metal	Clip/Screw	SM	AD.LCZ.DXST.MMT	EC02.360147.010
Metal	Ceramic	metal	Clip/Screw	SM/APC	AD.LDZ.DXAT.MMT	EC02.360149.010

LC SC footprint Duplex with integrated shutter



Housing	Alignmet sleeve	Housing color	Mounting	Appliance	Type	Article Nr.:
Plastic	PhBz	beige	Clip/Screw	MM	AD.LCB.DXMT.PBGS	EC02.360245.020
Plastic	Ceramic	blue	Clip/Screw	SM	AD.LCZ.DXST.PBLS	EC02.360144.020
Plastic	Ceramic	green	Clip/Screw	SM/APC	AD.LCZ.DXAT.PGNS	EC02.360146.020

LC SC footprint Quad



Housing	Alignmet sleeve	Housing color	Mounting	Appliance	Type	Article Nr.:
Plastic	PhBz	beige	Clip/Screw	MM	AD.LCB.QUMT.PBG	EC02.370251.010
Plastic	PhBz	aqua	Clip/Screw	MM/OM3	AD.LCZ.QU3T.PAQ	EC02.370252.010
Plastic	Ceramic	blue	Clip/Screw	SM	AD.LCZ.QUST.PBL	EC02.370150.010
Plastic	Ceramic	green	Clip/Screw	SM/APC	AD.LCZ.QUAT.PGN	EC02.370153.010
Metal	PhBz	metal	Clip/Screw	MM	AD.LCB.QUMT.MMT	EC02.370255.010
Metal	Ceramic	metal	Clip/Screw	SM	AD.LCZ.QUST.MMT	EC02.370154.010
Metal	Ceramic	metal	Clip/Screw	SM/APC	AD.LCZ.QUAT.MMT	EC02.370156.010

Adapter MTRJ & MPO Series

Applications:

Gigabit Ethernet
Video & LAN
Telecommunication Network
Multimedia
Industrial and military

euroclust offers a full line of fibre optic adapters for every application including flanged threaded, metal, composite and hybrid or plug varieties. Available in simplex, duplex, with ceramic (Zirconia) or Phosphor - Bronze sleeve for high precision alignment. All kind of adapters meet different demands for fibre optic applications according to international industry standards.

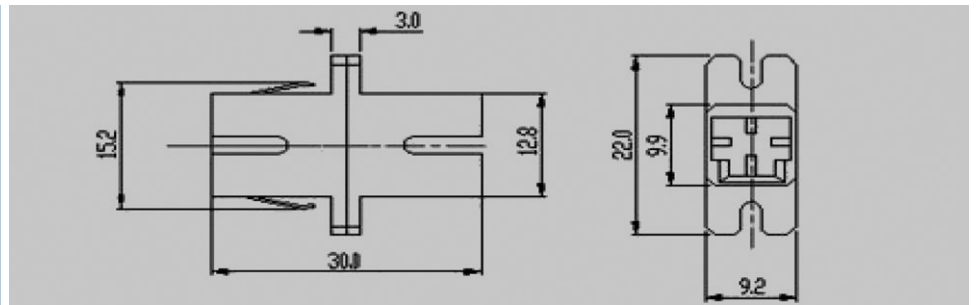
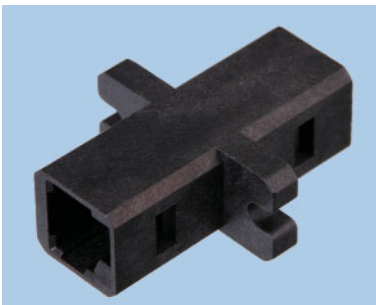
Specification

Item	Parameters
Insertion Loss I.L.	≤ 0,2 dB
Durability (500 Mating)	0,2 dB max Increase
Withdrawal Force (g/f)	100 - 300
Operating Temperature	-25 ... + 70°C

Features

RJ-45 type latching, duplex design
Small form factor (SFF)
Backward compatibility
Compliant with TIA/EIA 568-A

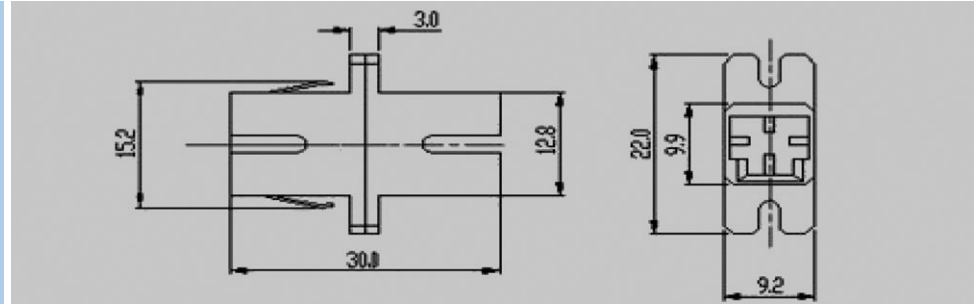
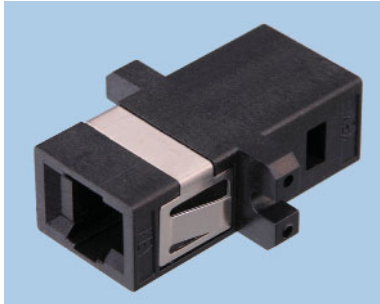
MTRJ RJ-45



Housing	Alignment sleeve	Housing color	Mounting	Appliance	Type	Article Nr.:
Plastic	Plastic	plastic/black	Screw	MM	AD.MTP.DXMM.PBK	EC02.410330.010

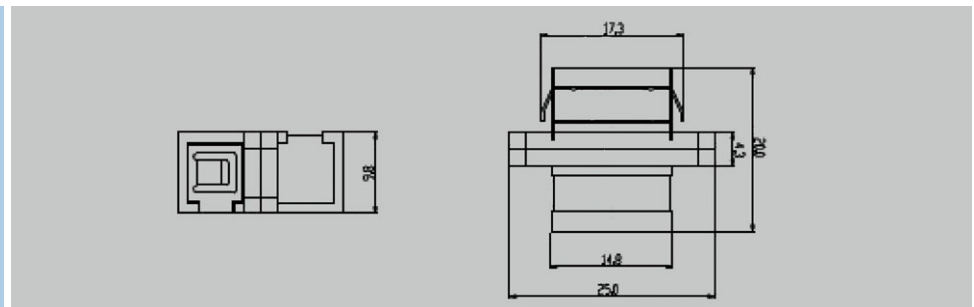
Adapter MTRJ & MPO Series

MTRJ SC Footprint



Housing	Alignmet sleeve	Housing color	Mounting	Appliance	Type	Article Nr.:
Plastic	Plastic	plastic/black	screw/spring	MM	AD.MTP.SCFT.PBK	EC02.410331.010

MPO



Housing	Alignmet sleeve	Housing color	Mounting	Appliance	Type	Article Nr.:
Plastic	Plastic	plastic/black	screw/spring	MM	AD.MPP.SCFT.PBK	EC02.410331.011

Screw mounting method/mounting screws

Description	Size	Max. wall thickness	Type	Article Nr.:
Philips head screw	M 2x8	1,5 mm	APHSN2x8	EC02.300090.001
Hexagonal nut	M2	1,5 mm	APHNM2	EC02.300090.003
Self tapping screw	M2,2x4,5 mm	1,5 mm	ASTS2,2x4,5	EC02.300090.002

Adapter SC-Type

Applications:

CATV
LAN & WAN
Network
Broadband
FTTx

euroclust offers a full line of fibre optic adapters for every application including flanged threaded, metal, composite and hybrid or plug varieties. Available in simplex, duplex, with ceramic (Zirconia) or Phosphor - Bronze sleeve for high precision alignment. All kind of adapters meet different demands for fibre optic applications according to international industry standards.

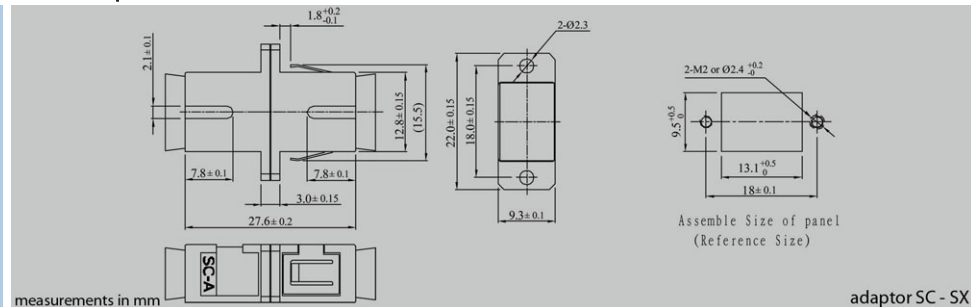
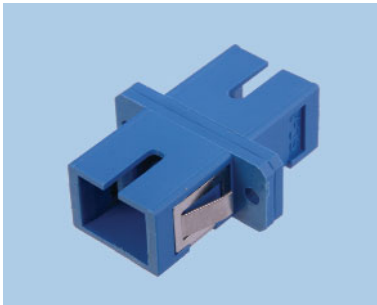
Specification

Item	Parameters
Insertion Loss I.L.	$\leq 0,2$ dB
Durability (500 Mating)	0,2 dB max Increase
Withdrawal Force (g/f)	100 - 300
Operating Temperature	-25 ... + 70°C

Features

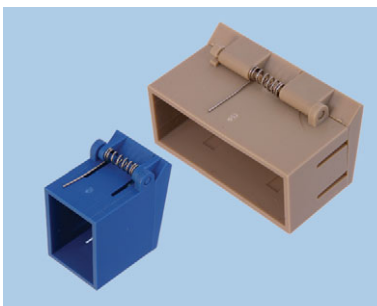
Simplex and duplex panel cutouts, available in several standard colors
Panel clip for easy installation
Available without flanges or with flange for duplex, saving panel space
According to JIS5974 and Bellcore GR-326 standard

SC Simplex



Housing	Alignmet sleeve	Housing color	Mounting	Appliance	Type	Article Nr.:
Plastic	PhBz	beige	Screw	MM	AD.SCB.SXMF.PBG	EC02.320214.001
Plastic	Ceramic	blue	Screw	SM	AD.SCZ.SXS.F.PBL	EC02.320112.001
Plastic	Ceramic	green	Screw	SM/APC	AD.SCZ.SXAF.PGN	EC02.320214.002
Plastic	Ceramic	aqua	Screw	MM	AD.SCZ.SXS.F.PAQ	EC02.320214.009
Metal	PhBz	metal	Screw	MM	AD.SCB.SXMF.MMT	EC02.320214.001
Metal	Ceramic	metal	Screw	SM	AD.SCZ.SXS.F.MMT	EC02.320112.001
Metal	Ceramic	metal	Screw	SM/APC	AD.SCZ.SXAF.MMT	EC02.320112.002

Dust cup retractable for SC Simplex and SC Duplex Adapter



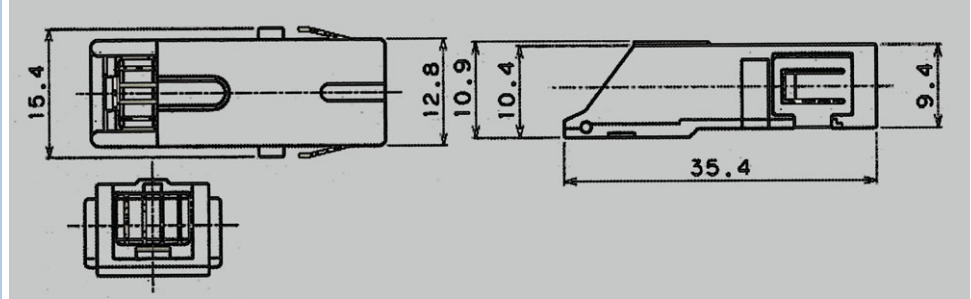
Housing	Housing color	Mounting	Appliance	Type	Article Nr.:
Plastic sx	beige	pluggable	MM	DC.SCR.SX.PBG	EC02.320082.008
Plastic sx	blue	pluggable	SM	DC.SCR.SX.PBL	EC02.320082.002
Plastic sx	aqua	pluggable	MM	DC.SCR.SX.PAQ	EC02.320082.009
Plastic dx	beige	pluggable	MM	DC.SCR.DX.PBG	EC02.330083.008
Plastic dx	blue	pluggable	SM	DC.SCR.DX.PBL	EC02.330083.002
Plastic dx	aqua	pluggable	MM	DC.SCD.DX.PAQ	EC02.330083.009

Screw mounting method/mounting screws

Description	Size	Max. wall thickness	Type	Article Nr.:
Philips head screw	M 2x8	1,5 mm	APHSN2x8	EC02.300090.001
Hexagonal nut	M2	1,5 mm	APHNM2	EC02.300090.003
Self tapping screw	M2,2x4,5 mm	1,5 mm	ASTS2,2x4,5	EC02.300090.002

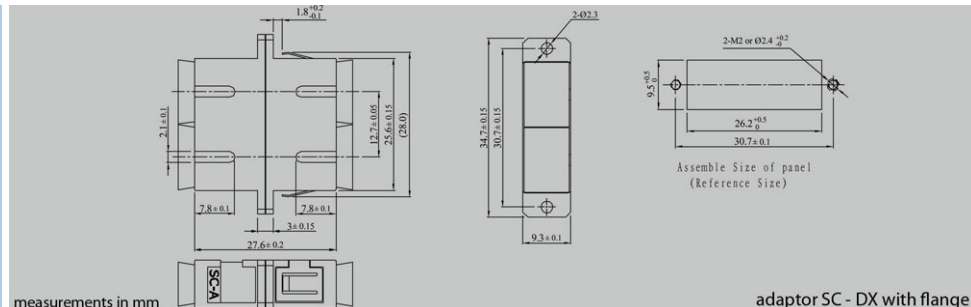
Adapter SC-Type

SC Simplex with integrated swing shutter



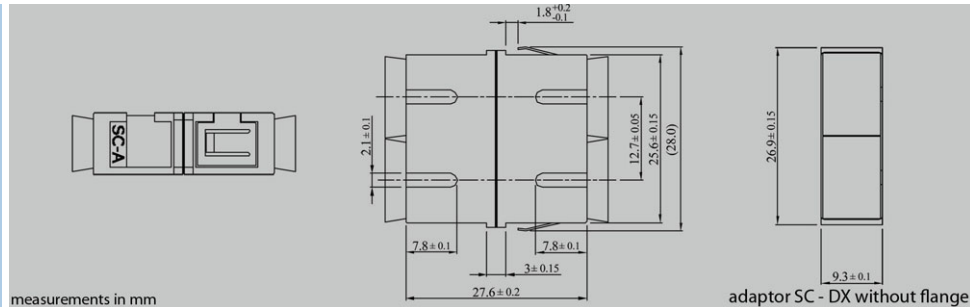
Housing	Alignmet sleeve	Housing color	Mounting	Appliance	Type	Article Nr.:
Plastic	PhBz	beige	Clip/Screw	MM	AD.SCB.SXMF.PBG.SS	EC02.320214.021
Plastic	Ceramic	blue	Clip/Screw	SM	AD.SCZ.SXS.F.PBL.SS	EC02.320112.021
Plastic	Ceramic	green	Clip/Screw	SM/APC	AD.SCZ.SXAF.PGN.SS	EC02.320116.021

SC Duplex with flange



Housing	Alignmet sleeve	Housing color	Mounting	Appliance	Type	Article Nr.:
Plastic	PhBz	beige	Clip/Screw	MM	AD.SCB.DXMF.PBG	EC02.330215.001
Plastic	Ceramic	blue	Clip/Screw	SM	AD.SCZ.DXS.F.PBL	EC02.330212.001
Plastic	Ceramic	green	Clip/Screw	SM/APC	AD.SCZ.DXAF.PGN	EC02.330212.002
Plastic	Ceramic	aqua	Clip/Screw	MM	AD.SCZ.DXMF.PAQ	EC02.330215.009
Metal	PhBz	metal	Clip/Screw	MM	AD.SCB.DXMF.MMT	EC02.310215.002
Metal	Ceramic	metal	Clip/Screw	SM	AD.SCZ.DXS.F.MMT	EC02.310114.001
Metal	Ceramic	metal	Clip/Screw	SM/APC	AD.SCZ.DSXF.MMT	EC02.310113.002

SC Duplex without flange



Housing	Alignmet sleeve	Housing color	Mounting	Appliance	Type	Article Nr.:
Plastic	PhBz	beige	Clip/Screw	MM	AD.SCB.DXMN.PBG	EC02.330219.001
Plastic	Ceramic	blue	Clip/Screw	SM	AD.SCZ.DXSN.PBL	EC02.330118.001
Plastic	Ceramic	green	Clip/Screw	SM/APC	AD.SCZ.DXSN.PGN	EC02.330118.002

Adapter ST-Type

Applications:

CATV
LAN & WAN
Network
Broadband
FTTx

euroclust offers a full line of fibre optic adapters for every application including flanged threaded, metal, composite and hybrid or plug varieties. Available in simplex, duplex, with ceramic (Zirconia) or Phosphor - Bronze sleeve for high precision alignment. All kind of adapters meet different demands for fibre optic applications according to international industry standards.

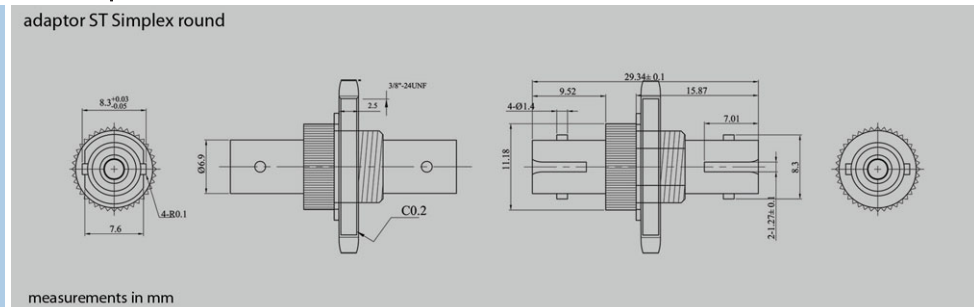
Specification

Item	Parameters
Insertion Loss I.L.	$\leq 0,2$ dB
Durability (500 Mating)	0,2 dB max Increase
Withdrawal Force (g/f)	100 - 300
Operating Temperature	-25 ... + 70°C

Features

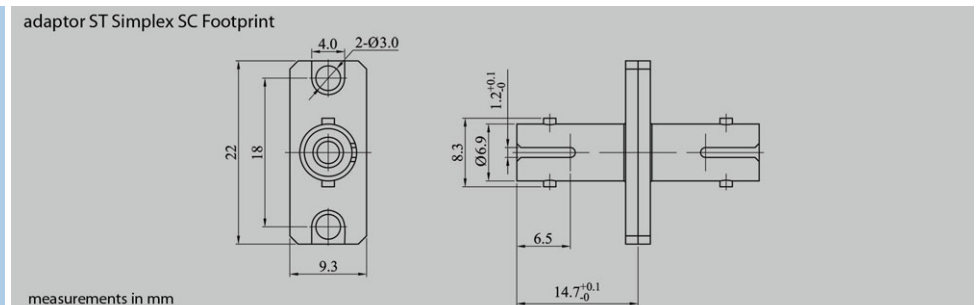
Compliant to Bellcore GR326 and TIA 568A standards
Available H-shaped and Rectangular mount
Coupling body zinc alloy for long life
Threaded with nuts or snap-in coupling easily installs in panel mount

ST Simplex Metal round



Housing	Alignmet sleeve	Housing color	Mounting	Appliance	Type	Article Nr.:
Metal	PhBz	Metal	Screw	MM	AD.STB.SXRD.MMT	EC02.340232.001
Metal	Ceramic	Metal	Screw	SM	AD.STZ.SXRD.MMT	EC02.340132.005

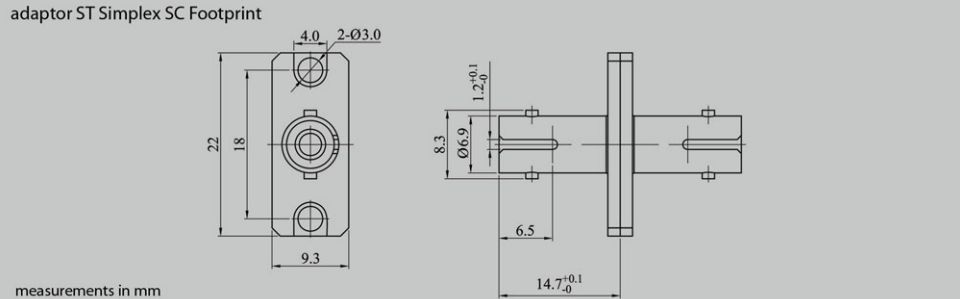
ST Simplex Metal SC Footprint



Housing	Alignmet sleeve	Housing color	Mounting	Appliance	Type	Article Nr.:
Metal	PhBz	Metal	Screw	MM	AD.STB.SXMF.MMT	EC02.340234.001
Metal	Ceramic	Metal	Screw	SM	AD.STZ.SXSF.MMT	EC02.340134.005

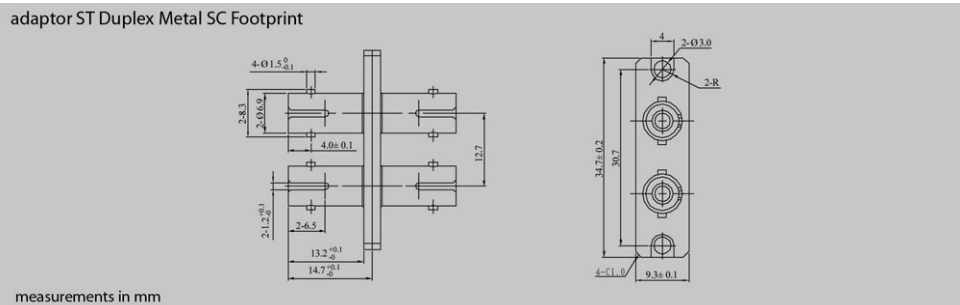
Adapter ST-Type

ST Simplex Plastic, SC Footprint



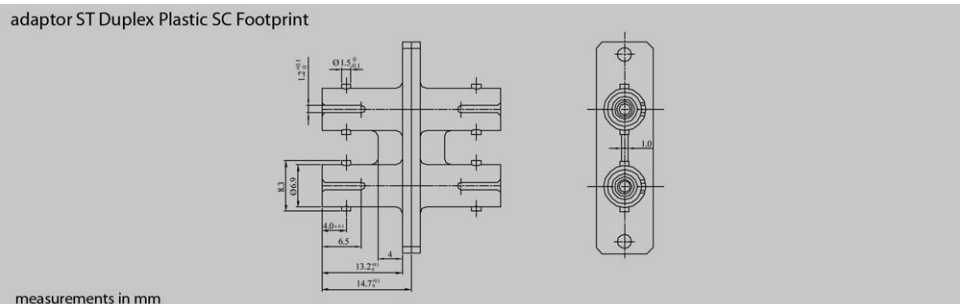
Housing	Alignmet sleeve	Housing color	Mounting	Appliance	Type	Article Nr.:
Plastic	PhBz	beige	Screw	MM	AD.STB.SCSX.PBG	EC02.340233.001
Plastic	Ceramic	blue	Screw	SM	AD.STZ.SCSX.PBL	EC02.340133.005

ST Duplex Metal, SC Footprint



Housing	Alignmet sleeve	Housing color	Mounting	Appliance	Type	Article Nr.:
Metal	PhBz	metal	Screw	MM	AD.STB.SCDX.PBG	EC02.340236.001
Metal	Ceramic	metal	Screw	SM	AD.STZ.SCDX.PBL	EC02.340136.005

ST Duplex Plastic, SC Footprint



Housing	Alignmet sleeve	Housing color	Mounting	Appliance	Type	Article Nr.:
Plastic	PhBz	beige	Screw	MM	AD.STB.SCSX.PBG	EC02.340235.001
Plastic	Ceramic	blue	Screw	SM	AD.STZ.SCSX.PBL	EC02.340135.005

Screw mounting method/mounting screws

Description	Size	Max. wall thickness	Type	Article Nr.:
Philips head screw	M 2x8	1,5 mm	APHSN2x8	EC02.300090.001
Hexagonal nut	M2	1,5 mm	APHNM2	EC02.300090.003
Self taping screw	M2,2x4,5 mm	1,5 mm	ASTS2,2x4,5	EC02.300090.002

Adapter E2000 - Type

Applications:

CATV
LAN & WAN
Network
Broadband
FTTx

euroclust offers a full line of fibre optic adapters for every application including flanged threaded, metal, composite and hybrid or plug varieties. Available in simplex, duplex, with ceramic (Zirconia) or Phosphor - Bronze sleeve for high precision alignment. All kind of adapters meet different demands for fibre optic applications according to international industry standards.

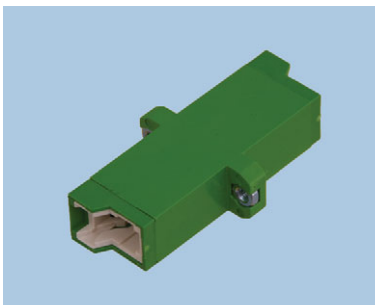
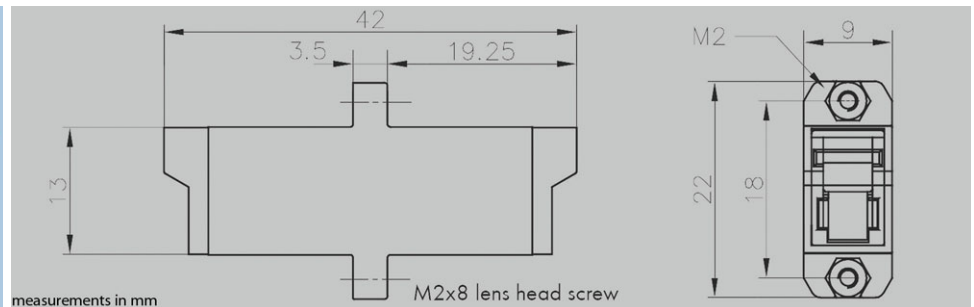
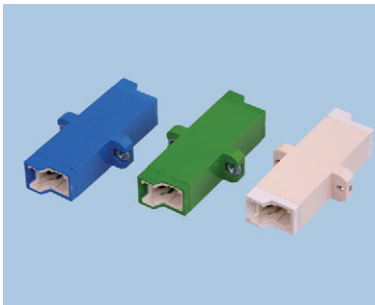
Specification

Item	Parameters
Insertion Loss I.L.	<= 0,2 dB
Durability (1000 Mating)	0,2dB max Increase
Withdrawal Force (g/f)	100 - 300
Operating Temperature	-25 ... + 70°C

Features

Compliant to IEC 61754-15, TIA604-16 standards
Available as Standard adapter with 2-hole flange or Compact adapter with integrated fixing springs
Zirconia ceramic sleeve material

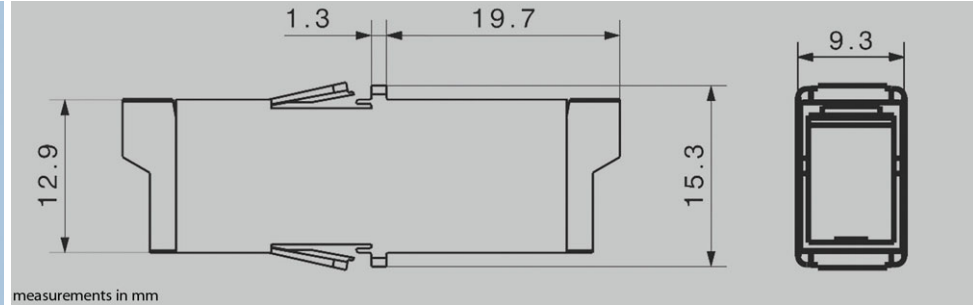
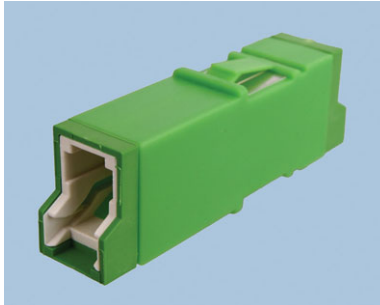
E2000 Standard



Housing	Alignmet sleeve	Housing color	Mounting	Appliance	Type	Article Nr.:
Plastic	Ceramic	beige	Screw	MM	FLSH-FLSH-D102	EC02.460100.011
Plastic	Ceramic	blue	Screw	SM	FLSH-FLSH-D100	EC02.460100.012
Plastic	Ceramic	green	Screw	APC	FLSH-FLSH-D600	EC02.460100.013
Plastic	Ceramic	blue	Screw	SM high Power	FLSH-FLSH-D110	EC02.460100.014
Plastic	Ceramic	green	Screw	APC high Power	FLSH-FLSH-D610	EC02.460100.015

Adapter E 2000 - Type

E2000 Compact



Housing	Alignmet sleeve	Housing color	Mounting	Appliance	Type	Article Nr.:
Plastic	Ceramic	beige	Spring	MM	FLSH-FLSH-A101	EC02.460100.021
Plastic	Ceramic	blue	Spring	SM	FLSH-FLSH-A100	EC02.460100.022
Plastic	Ceramic	green	Spring	APC	FLSH-FLSH-A600	EC02.460100.023
Plastic	Ceramic	blue	Spring	SM high Power	FLSH-FLSH-A110	EC02.460100.024
Plastic	Ceramic	green	Spring	APC high Power	FLSH-FLSH-A610	EC02.460100.025

Mechanical coding system

The mechanical coding system allows fast and secure installation of the adapters. It ensures mating without any risk of confusion or permutation.

Type	Adapter code:	Article Nr.:
FLSH-FLSH-XXXX		
- A0 0	uncoded	color of adapter
- A1 1	Key 1	red coded
- A2 2	Key 2	brown coded
- A3 3	Key 3	yellow coded
- A4 4	Key 4	orange coded
- A5 5	Key 5	violet coded
- A6 6	Key 6	white coded
- AA A	Key 7	red coded
- AB B	Key 8	brown coded
- AC C	Key 9	yellow coded
- AD D	Key 10	orange coded
- AE E	Key 11	violet coded
- AF F	Key 12	white coded
- AG G	Key 13	green coded
- AH H	Key 14	blue coded
- AI I	Key 15	black coded
- AJ J	Key 16	grey coded
- AK K	Key 17	pink coded
- AL L	Key 18	turquoise coded