

## Connector FC-Type

### Applications:

Telecommunication  
CATV  
LAN & WAN  
Network  
FTTP

euroclust's FC/PC connector is available in both single mode and multi mode versions and is fully compliant to Bellcore standards. Both Single - mode and multimode versions come with a zirconia ceramic ferrule with prepolished PC profile and convex spherical end. These endface types allow for faster polishing and low back reflection and optical loss while ensuring maximum repeatability.

euroclust's FC/APC connector is fully compatible with APC hardware, featuring a very high tolerance anti-rotation key for consistent performance. All FC/APC connectors come with a zirconia ceramic ferrule with choice and endfaced types including standard, step and cone. These endface types allow for faster polishing, low back reflection and optical loss while ensuring maximum repeatability.

### Features PC type

- Threaded nut connector, housing material brass nickel plated, color argent
- Precision mechanical dimension
- One piece with pre-domed zirconia ferrule, designed for fast, easy assembly & polishing
- The ferrule is keyed during manufacturing to optimize performance, one step crimp with jacket retention, corrosion resistant body
- Fixed key and activity key can be selected
- For 3,0 mm, jacket or 900 nm buffer (standard) 2,4 mm, 2,0 mm jackets on request
- Rubber Boot and Bellcore/Telcordia Boot can be selected



### Additional features APC type

- Free-floating APC ceramic ferrule
- Compatible with APC hardware
- Connector kits are also available

### Specification

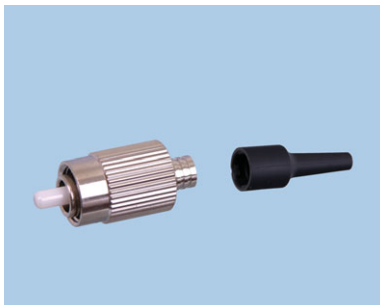
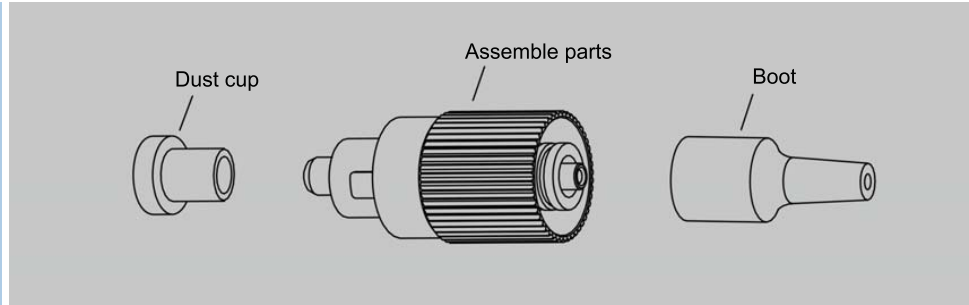
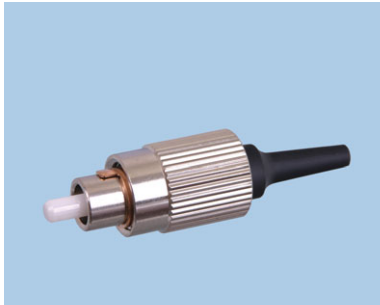


Compliance	IEC61754, TIA 604-4-A, JIS C-5970	
Technology	Full ceramic ferrule 2,5 mm	
Mechanical resistance	100 N	
Durability	min 1000 mating cycles	
Operating temperature	-40°C to +75°C	
Storage temperature	-40°C to +85°C	
	SM	MM
Insertion Loss	<=0,15 dB	<=0,3 dB
Durability (1000 Mating)	0,2 dB max.	
Remark:	Ferrule Concentricity SM < 1 nm; MM < 1,4 µm Ferrule inner diameter tolerance +1/-0 µm Ferrule outer diameter tolerance +0/-0,5 µm	



Connector FC-Type

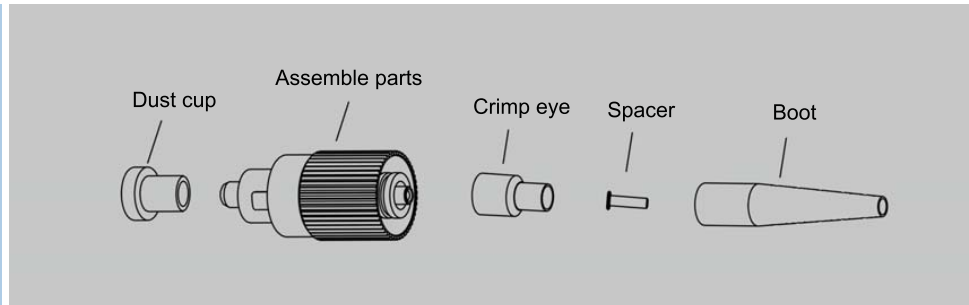
FC Fixed / Activity Key 0,9 / Rubber boot



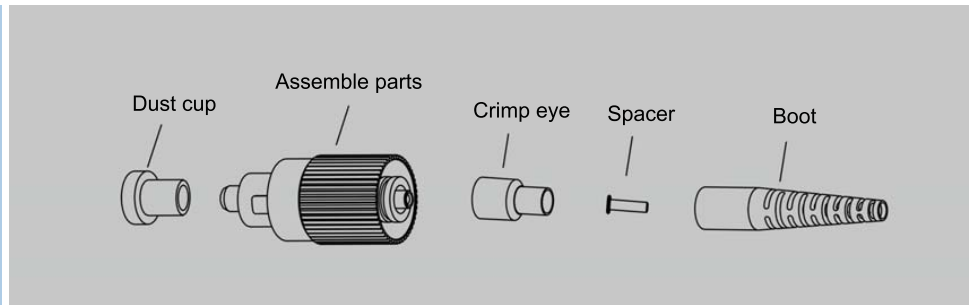
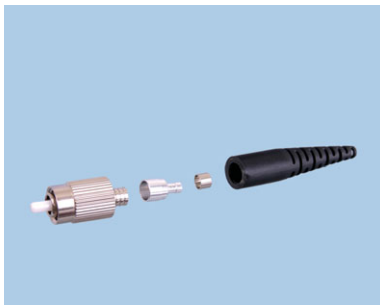
Appliance Ferrule Ø μm	Polishing	Cable Ø mm	Boot type	Boot color	Type	Article Nr.:
SM/125	UPC	0,9	Rubber	Black	CO.FC/SM05.SX09.BKR	EC02.010103.002
SM/125	UPC	0,9	Rubber	Blue	CO.FC/SM05.SX09.BLR	EC02.010101.002
MM/127	PC	0,9	Rubber	Black	CO.FC/MM07.SX09.BKR	EC02.010403.002
APCC/125*	APC 8°	0,9	Rubber	Green	CO.FC/APCC.SX09.GNR	EC02.010704.002

\* APCC means APC cone type ferrule

FC Fixed / Activity Key 3,0 / 2,0 Rubber Boot



FC Fixed / Activity Key 3,0 / 2,0 Telcordia Boot



Appliance Ferrule Ø μm	Polishing	Cable Ø mm	Boot type	Boot color	Type	Article Nr.:
SM/125	UPC	3,0	Rubber	Black	CO.FC/SM05.SX30.BKR	EC02.010103.002
SM/125	UPC	3,0	Rubber	Blue	CO.FC/SM05.SX30.BLR	EC02.010101.002
SM/125	UPC	3,0	Rubber	Red	CO.FC/SM05.SX30.RDR	EC02.010134.002
SM/125	UPC	3,0	Telcordia	Black	CO.FC/SM05.SX30.BKT	EC02.010162.002
SM/125	UPC	3,0	Telcordia	Blue	CO.FC/SM05.SX30.BLT	EC02.010160.002
MM/127	PC	3,0	Rubber	Black	CO.FC/MM07.SX30.BKR	EC02.010432.002
MM/127	PC	3,0	Rubber	Red	CO.FC/MM07.SX30.RDR	EC02.010434.002
MM/127	PC	3,0	Telcordia	Black	CO.FC/MM07.SX30.BKT	EC02.010462.002
MM/127	PC	3,0	Telcordia	Red	CO.FC/MM07.SX30.RDT	EC02.010464.002
APCC/125*	APC 8°	3,0	Rubber	Green	CO.FC/APCC.SX30.GNR	EC02.010733.002
APCC/125*	APC 8°	3,0	Telcordia	Green	CO.FC/APCC.SX30.GNT	EC02.010763.002

\* APCC means APC cone type ferrule

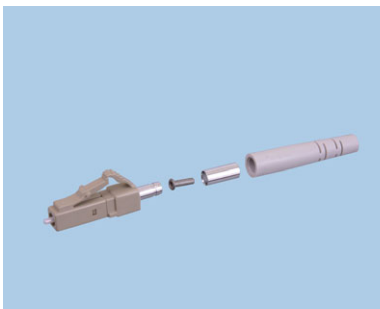
## Connector LC-Type

### Applications:

Telecommunication  
CATV  
LAN & WAN  
Broadband  
Network  
FTTP

euroclust's LC connector is available in both single mode and multi mode simplex or duplex versions. Duplex clip available separately Both Single - mode and multimode have a zirconia ceramic ferrule measuring 1,25 mm O.D., with either PC or APC end-face and provides optimum insertion and return loss. The euroclust LC connector is used on small diameter mini-cordage (2,0 mm) as well as 3,0 mm cable. LC connectors are available in pre-assembled or kit (unassembled) formats. Self-adjusting panel latches and a choice of mounting orientations with labeled polarity.

### Features



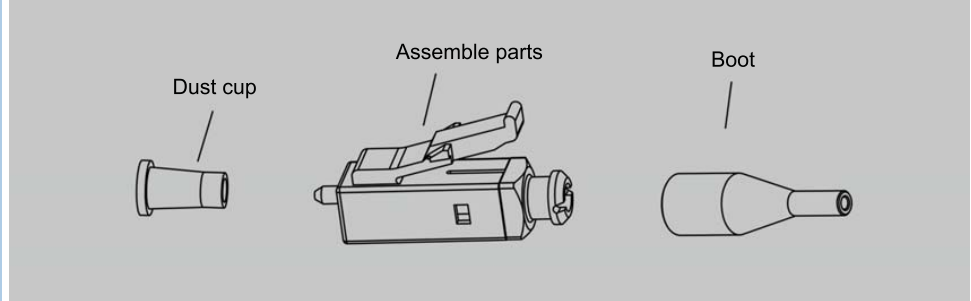
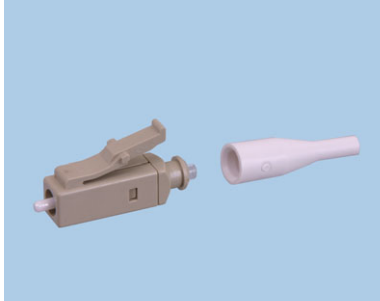
- Small form factor (SFF) connector for high packing density
- Latched push-pull connector
- Housing material plastic, color of housing blue SM (UPC), green SM (APC8°/9°) or beige MM (PC)
- Half size of current industry standards
- Increases panel density, provides duplex connection in 50% less space
- One piece design for easy and quick termination
- Duplex fits RJ-45 footprint
- Simplex and duplex version available
- For 2,0 mm jacket or 900 nm buffer (standard), for 3,0 mm jacket on request
- User-friendly audible latch to indicate proper mating

### Specification

Compliance	IEC61754-20, TIA 604-10-A	
Technology	Full ceramic ferrule 1,25 mm	
Mechanical resistance	100 N	
Durability	min 1000 mating cycles	
Operating temperature	-40°C to +75°C	
Storage temperature	-40°C to +85°C	
	SM	MM
Insertion Loss	<=0,3 dB	
Durability (1000 Mating)	0,2 dB max.	
Remark:	Ferrule Concentricity SM < 1 µm; MM < 1,4 µm Ferrule inner diameter tolerance +1/-0 µm Ferrule outer diameter tolerance +0/-0,5 µm	

Connector LC-Type

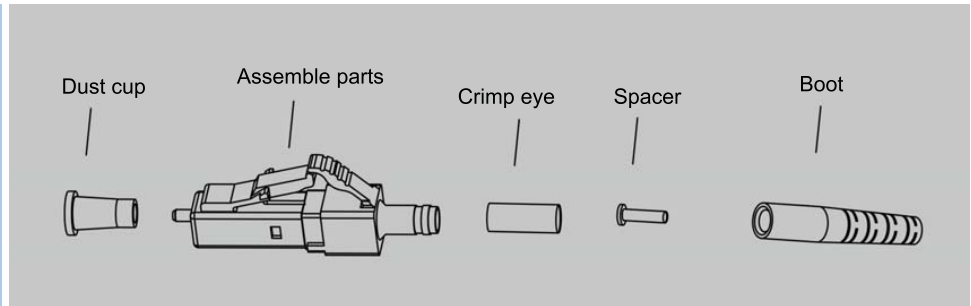
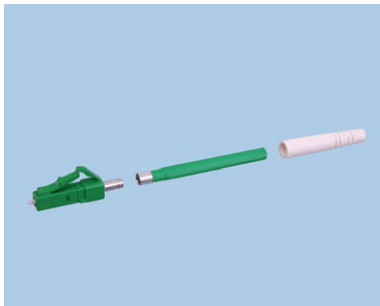
LC 0,9 mm Rubber Boot



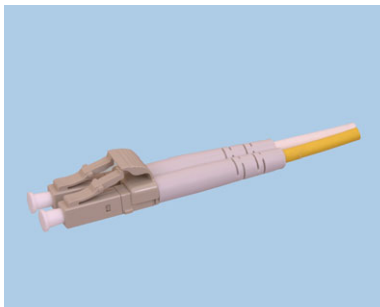
Appliance Ferrule Ø µm	Polishing	Cable Ø mm	Boot type	Boot color	Type	Article Nr.:
SM/125	UPC	0,9	Rubber	White	CO.LC/SM05.SX09.WTR	EC02.050101.002
SM/125	UPC	0,9	Rubber	Yellow	CO.LC/SM07.SX09.YER	EC02.050403.002
MM/127	PC	0,9	Rubber	White	CO.LC/MM07.SX09.WTR	EC02.050402.002
APCC/125*	APC 8°	0,9	Rubber	Green	CO.LC/APCC.SX09.GNR	EC02.050704.002

\* APCC means APC cone type ferrule

LC 2,0 / 3,0 Telcordia Boot



LC Duplex Connector Telcordia Boot



Appliance Ferrule Ø µm	Polishing	Cable Ø mm	Boot type	Boot color	Execution	Type	Article Nr.:
SM/125	UPC	=<2,0	Telcordia	White	simplex	CO.LC/SM05.SX20.WTT	EC02.050146.002
SM/125	UPC	=<2,0	Telcordia	White	duplex	CO.LC/SM05.DX20.WTT	EC02.060146.002
MM/127	PC	=<2,0	Telcordia	White	simplex	CO.LC/MM07.SX20.WTT	EC02.050462.002
MM/127	PC	=<2,0	Telcordia	White	duplex	CO.LC/MM07.DX20.WTT	EC02.060462.002
MM/127	UPC	=<3,0	Telcordia	White	simplex	CO.LC/SM05.SX30.WTT	EC02.050461.002
MM/127	UPC	=<3,0	Telcordia	White	duplex	CO.LC/SM05.DX30.WTT	EC02.060461.002
MM/127	PC	=<3,0	Telcordia	White	simplex	CO.LC/MM07.SX30.WTT	EC02.050464.002
MM/127	PC	=<3,0	Telcordia	White	duplex	CO.LC/MM07.DX30.WTT	EC02.060467.002
APCC/125*	APC 8°	=<2,0	Telcordia	Green	simplex	CO.LC/APCC.SX20.GNT	EC02.050743.002
APCC/125*	APC 8°	=<2,0	Telcordia	Green	duplex	CO.LC/APCC.DX20.GNT	EC02.060743.002
APCC/125*	APC 8°	=<3,0	Telcordia	Green	simplex	CO.LC/APCC.SX30.GNT	EC02.050763.002
APCC/125*	APC 8°	=<3,0	Telcordia	Green	duplex	CO.LC/APCC.DX30.GNT	EC02.060763.002

\* APCC means APC cone type ferrule

## Connector MTP/MPO Type

### Applications:

Telecommunication  
CATV  
LAN & WAN  
Broadband  
Network  
FTTP

euroclust's MTP/MPO connector are available in single mode and multi mode versions for high density interconnections. MTP/MPO connectors are available in kit (unassembled) formats. MT stands for "Mechanical Transfer" and is a plastic multi fiber ferrule. MPO stands for "Multifiber Push On" for the MT ferrule. MTP is an improved MPO connector. The MTP/MPO connector is a multifiber connector that contains up to 12 optical fibers within a single ferrule. This design allows the use of ribbonized fibre to achieve highest density.

### Features



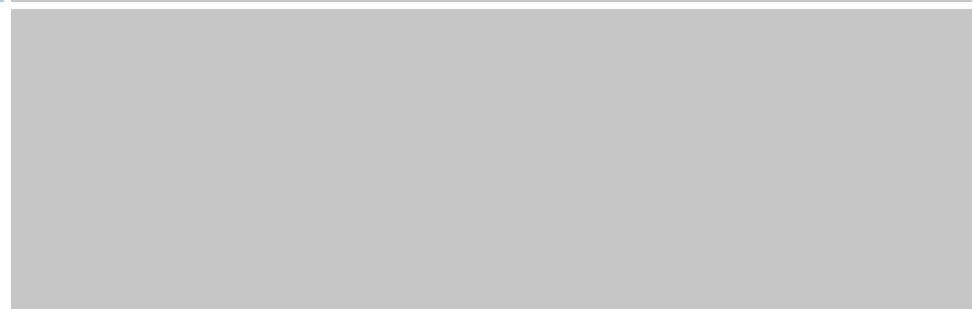
- Available: SM (angled PC) and MM (flat PC)
- Push-on/Pull-off latching connector
- Easy connection and disconnection
- No need for matching material
- Housing material plastic, color of housing black/green SM black/beige (MM)
- Fiber protrusion
- Easy termination - no epoxy or polishing
- Highest fiber density
- For patch cord bare fiber ribbon type and ruggedized cord ribbon type or fan out cord
- Either 4, 8 or 12 fibers available
- With or without guide pins
- Precision guide pin assures fibre alignment at mating

### Specification

Compliance	IEC61754-7, TIA/EIA 604-5	
Technology	MT plastic ferrule	
Durability	min 1000 mating cycles	
Operating temperature	-40°C to +75°C	
Storage temperature	-40°C to +85°C	
	SM	MM
Insertion Loss	<=0,35 dB	<=0,75 dB
Return Loss	<= -55 dB	/
Durability (1000 Mating)	0,2 dB max.	
Cable type	Fiber Ribbon, Ribbon cord	

Connector MTP/MPO Type

MTP/MPO type



<i>Appliance Ferrule</i>	<i>Pin</i>	<i>Number of Cores</i>	<i>Type</i>	<i>Article Nr.:</i>
SM	with	4	CO.MP/SMWP.0400.GNN	EC02.181000.001
SM	without	4	CO.MP/SMOP.0400.GNN	EC02.191000.002
SM	with	8	CO.MP/SMWP.0800.GNN	EC02.181200.002
SM	without	8	CO.MP/SMOP.0800.GNN	EC02.191200.002
SM	with	12	CO.MP/SMWP.1200.GNN	EC02.181400.002
SM	without	12	CO.MP/SMOP.1200.GNN	EC02.191400.002
MM	with	4	CO.MP/MMWP.0400.BGN	EC02.181110.002
MM	without	4	CO.MP/MMOP.0400.BGN	EC02.191110.002
MM	with	8	CO.MP/MMWP.0800.BGN	EC02.181300.002
MM	without	8	CO.MP/MMOP.0800.BGN	EC02.191300.002
MM	with	12	CO.MP/MMWP.1200.BGN	EC02.181500.002
MM	without	12	CO.MP/MMOP.1200.BGN	EC02.191500.002

## Connector MTRJ Type

### Applications:

Telecommunication  
CATV  
LAN & WAN  
Broadband  
Network  
FTTP

euroclust's MTRJ connector is available in single mode and multi mode duplex versions.

The connector has a plastic ferrule. MTRJ connectors are available in kit (unassembled) formats.

### Features



- MTRJ connectors are half size of duplex SC and ST- Style connector
- Latched push-pull connector
- Two fibers in one ferrule
- Small form factor connector for high packing density. Two connections in SC shape adapter
- Housing material plastic, color of housing black
- Multi piece design
- Installable in conventional RJ-45 cutouts
- Multimode and single mode version for existing and future network application
- Easy termination - no epoxy or polishing
- Intuitive RJ-45 type latching mechanism plug and Jack design
- Wide industry and electronics supplier acceptance and support
- Boot hole form either rectangle or round for either figure 8 (1,8 mm) or figure 0 cable
- Available with or without pin

### Specification

Compliance	IEC61754-18, TIA 604-12	
Technology	Plastic ferrule	
Mechanical resistance	70 N	
Durability	min 500 mating cycles	
Operating temperature	-20°C to +60°C	
Storage temperature	-25°C to +50°C	
	SM	MM
Insertion Loss	<=0,5 dB	<=0,75 dB
Return Loss	<= -40 dB	/
Durability (1000 Mating)	0,3 dB max.	

Connector MTRJ Type

MTRJ 1,8 Duplex figure 8 Telcordia boot



MTRJ 3,0 Duplex figure 0 Telcordia boot



Appliance Ferrule	Pin	Cable Ø mm	Boot hole form	Boot color	Dust cup	Type	Article Nr.:
SM	with	≤2,0	rectangle	black	transparent	CO.MM/SM05.0218.BKT	EC02.110842.001
SM	without	≤2,0	rectangle	black	transparent	CO.MF/SM05.0218.BKT	EC02.100842.001
SM	without	≤3,0	round	black	black	CO.MF/SM05.0230.BKT	EC02.100862.001
MM	with	≤2,0	rectangle	black	transparent	CO.MM/MM06.0218.BKT	EC02.110942.001
MM	without	≤2,0	rectangle	black	transparent	CO.MF/MM06.0218.BKT	EC02.100942.001
MM	without	≤3,0	round	black	black	CO.MF/MM06.0230.BKT	EC02.100962.001

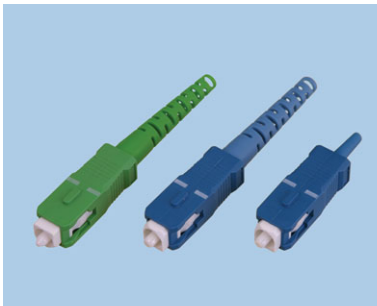
## Connector SC Type

### Applications:

Telecommunication  
CATV  
LAN & WAN  
Broadband  
Network  
FTTP

euroclust's SC/PC connector is available in both single mode and multi mode simplex or duplex versions and fully compliant to Bellcore standards. Duplex clip available separately. Both Single - mode and multimode versions come with a zirconia ceramic ferrule with pre-polishing PC profile and convex spherical end. These endface types allow faster polishing of the fiber and enables the installer to achieve low optical loss while ensuring maximum repeatability. euroclust's SC/APC comes with a zirconia ceramic ferrule with choice and endface types including standard step and cone. These endface types allow for faster polishing, and lower insertion loss and back reflection while ensuring maximum repeatability.

### Features



- Push pull connector, housing material plastic, color of housing blue SM (PC/UPC), green SM (APC8°/9°) or beige MM (PC)
- Precision mechanical dimension
- One piece with pre-domed ceramic ferrule, designed for fast, easy assembly & polishing
- Compliant to Bellcore specifications
- Low insertion loss
- Ultra low back reflection
- Corrosion resistant body
- Fixed key and activity key can be selected
- For 3,0 mm jacket or 900 nm buffer (standard), for 2,4 mm, 2,0 mm jacket on request
- Rubber Boot and Bellcore/Telcordia Boot can be selected

### Additional features APC type

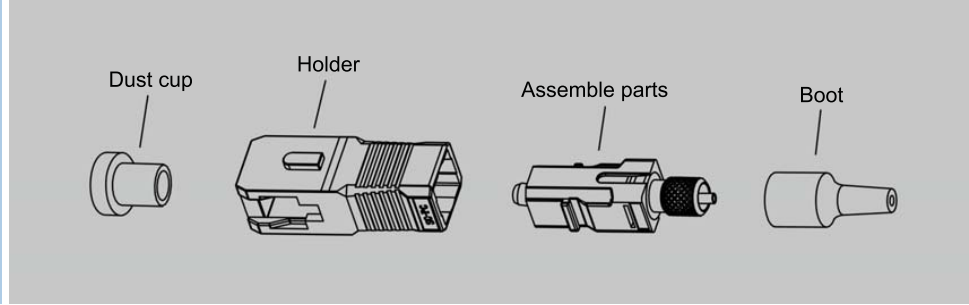
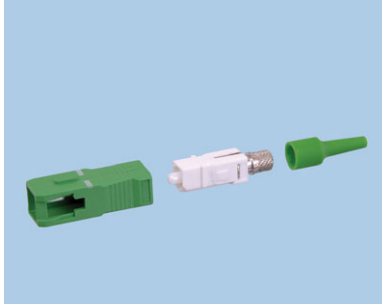
- Free - floating APC ceramic ferrule
- Compatible with APC hardware
- Connector Kits are also available

### Specification

Compliance	IEC61754-4, TIA 604-3	
Technology	Full ceramic ferrule 2,5 mm	
Mechanical resistance	100 N	
Durability	min 1000 mating cycles	
Operating temperature	-40°C to +75°C	
Storage temperature	-40°C to +85°C	
	SM	MM
Insertion Loss	<=0,15 dB	<=0,3 dB
Durability (1000 Mating)	0,2 dB max.	
Remark:	Ferrule Concentricity SM <1µm; MM< 1,4 µm	
	Ferrule inner diameter tolerance +1/-0 µm	
	Ferrule outer diameter tolerance +0/-0,5 µm	

## Connector SC Type

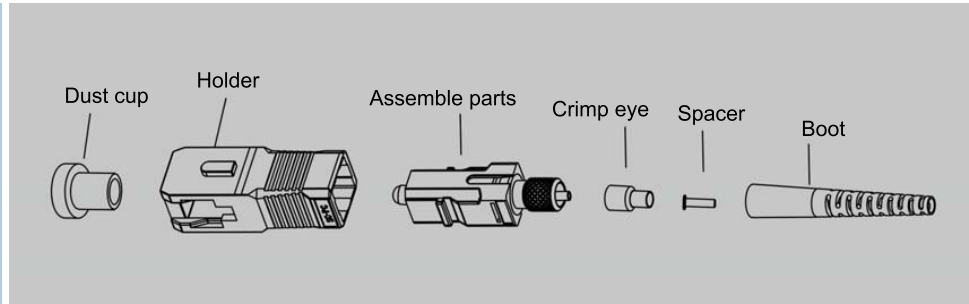
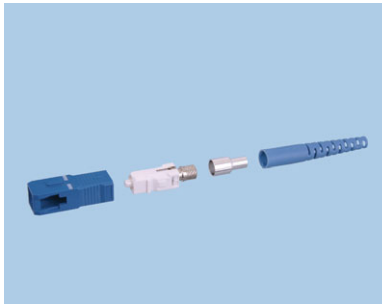
### SC 0,9 mm Rubber Boot



Appliance Ferrule Ø μm	Polishing	Cable Ø mm	Boot type	Boot color	Type	Article Nr.:
SM/125	UPC	0,9	Rubber	Blue	CO.SC/SM05.SX09.BLR	EC02.020101.002
MM/127	PC	0,9	Rubber	Black	CO.SC/MM07.SX09.BKR	EC02.020403.002
MM/127	PC	0,9	Rubber	Beige	CO.SC/MM07.SX09.BGR	EC02.020402.002
APCC/125*	APC 8°	0,9	Rubber	Green	CO.SC/APCC.SX09.GNR	EC02.020704.002
APCC/125*	APC 8°	0,9	Rubber	Green	CO.SC/APCS.SX09.GNR	EC02.020604.002

\* APCC means APC cone type ferrule. APCS means APC step type ferrule.

### SC 3,0/2,0 Telcordia boot



### SC Duplex Connector Telcordia boot



Appliance Ferrule Ø μm	Polishing	Cable Ø mm	Boot type	Boot color	Execution	Type	Article Nr.:
SM/125	UPC	3,0	Telcordia	blue	simplex	CO.SC/SM05.SX20.BLT	EC02.020160.002
SM/125	PC	3,0	Telcordia	blue	duplex	CO.SC/SM05.DX20.BLT	EC02.030160.002
MM/127	PC	3,0	Telcordia	black	simplex	CO.SC/SM05.SX30.BKT	EC02.020462.002
MM/127	PC	3,0	Telcordia	black	duplex	CO.SC/SM05.DX30.BKT	EC02.030462.002
MM/127	PC	3,0	Telcordia	beige	simplex	CO.SC/SM05.SX30.WTT	EC02.020461.002
MM/127	PC	3,0	Telcordia	beige	duplex	CO.SC/MM07.DX30.BGT	EC02.030461.002
MM/127	PC	3,0	Telcordia	red	simplex	CO.SC/MM07.SX30.RDT	EC02.020464.002
MM/127	PC	3,0	Telcordia	red/blue	duplex	CO.SC/MM07.DX30.RBT	EC02.030467.002
APCC/125*	APC 8°	3,0	Telcordia	Green	simplex	CO.SC/APCC.SX30.GNT	EC02.020763.002
APCC/125*	APC 8°	3,0	Telcordia	Green	simplex	CO.FC/APCC.SX30.GNT	EC02.020663.002

\* APCC means APC cone type ferrule. APCS means APC step type ferrule.

## Connector ST Type

### Applications:

Telecommunication  
CATV  
LAN & WAN  
Broadband  
Network  
FTTP

euroclust's ST/PC has a bayonet style housing and a long spring - leaded ferrule hold the fiber. They are available in both single mode and multi mode versions. The ST connector is one of the older generations of connectors, but still widely used for multimode networks, including LAN's for buildings and campuses.



### Features

- Bayonet nut connector, housing material brass nickel plated
- Coupling nut radial track minimizes the rotation needed to mate the connector
- Assembly body constructions simplifies fields assembly (quick cure set)
- Single mode and multimode versions available
- Low insertion loss
- Ultra low back reflection
- Accommodates tight and loose tube buffer cables with jacket up to 3 mm 2,0 and 2,4 mm on request
- Ceramic ferrules are configured for easy hand or machine "SuperPC and "Ultra" Polishing
- Optional boot colors available
- One piece design
- Boot size and color options

### Additional features APC type

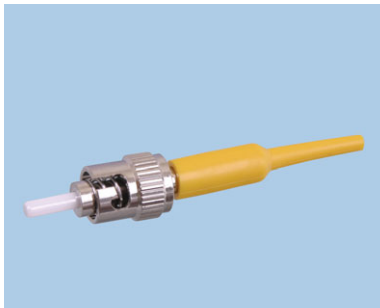
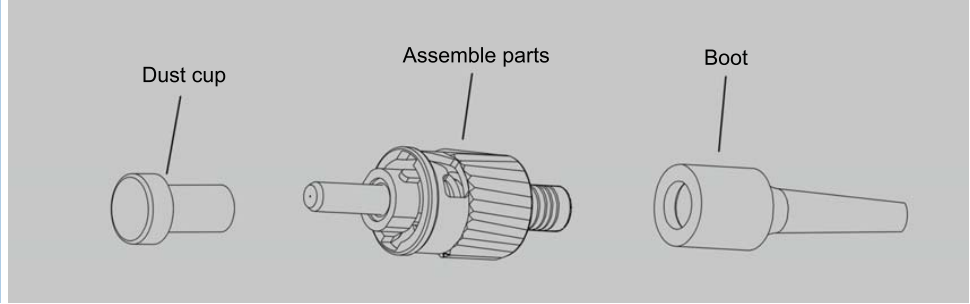
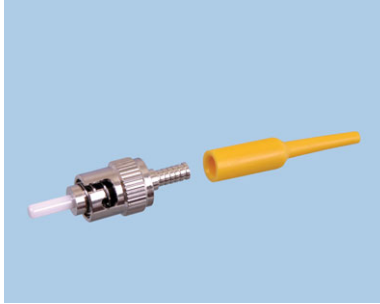
- Free-floating APC ceramic ferrule
- Compatible with APC hardware
- Connector kits are also available

### Specification

Compliance	IEC61754-2, TIA 604-2	
Technology	Full ceramic ferrule 2,5 mm	
Mechanical resistance	100 N	
Durability	min 1000 mating cycles	
Operating temperature	-40°C to +75°C	
Storage temperature	-40°C to +85°C	
	SM	MM
Insertion Loss	<=0,3 dB	
Durability (1000 Mating)	0,2 dB max.	
Remark:	Ferrule Concentricity SM <1µm; MM< 1,4 µm Ferrule inner diameter tolerance +1/-0 µm Ferrule outer diameter tolerance +0/-0,5 µm	

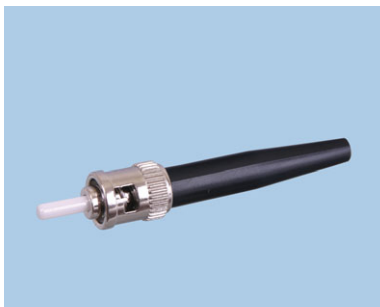
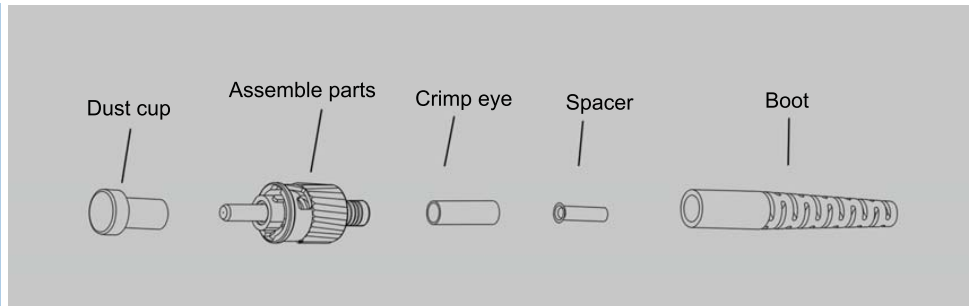
Connector ST Type

ST 0,9 mm Rubber Boot short



Appliance Ferrule Ø μm	Polishing	Cable Ø mm	Boot type	Boot color	Type	Article Nr.:
SM/125	UPC	0,9	Rubber	blue	CO.ST/SM05.SX09.BKR	EC02.040103.002
MM/125	UPC	0,9	Rubber	yellow	CO.ST/SM05.SX09.YER	EC02.040106.002
MM/126	UPC	0,9	Rubber	black	CO.ST/SM06.SX09.BKR	EC02.040303.002
MM/126	UPC	0,9	Rubber	yellow	CO.ST/SM06.SX09.YER	EC02.040306.002
MM/127	PC	0,9	Rubber	black	CO.ST/MM07.SX09.BKR	EC02.040403.002

ST3,0/2,0 Rubber Boot



Appliance Ferrule Ø μm	Polishing	Cable Ø mm	Boot type	Boot color	Type	Article Nr.:
SM/125	UPC	2,0	Rubber	yellow	CO.ST/SM05.SX20.YER	EC02.040115.002
MM/126	UPC	2,0	Rubber	yellow	CO.ST/SM06.SX20.YER	EC02.040315.002
MM/127	PC	2,0	Rubber	black	CO.ST/MM07.SX20.BKR	EC02.040412.002
SM/125	UPC	3,0	Rubber	black	CO.ST/SM05.SX30.BKR	EC02.040132.002
MM/126	UPC	3,0	Rubber	black	CO.ST/SM06.SX30.YER	EC02.040332.002
MM/126	UPC	3,0	Rubber	yellow	CO.ST/SM06.SX30.YER	EC02.040335.002
MM/127	PC	3,0	Rubber	black	CO.ST/MM07.SX30.BKR	EC02.040432.002

## Connector MU Type

### Applications:

Telecommunication  
CATV  
LAN & WAN  
Broadband  
Network  
FTTP

euroclust's MU connector is available in single mode simplex or duplex versions. The connector has a zirconia ceramic ferrule measuring 1,25 mm O.D with either PC or APC end-face and provides optimum insertion and return loss. Available in pre-assembled or kit (unassembled) formats.

### Features



- Small form factor (SFF) connector for high packing density.
- Push-pull connector
- Housing material plastic, color of housing brown
- One piece design for easy and quick termination as well as multi piece design
- Simplex and duplex versions are available
- For 2,0 mm jacket or 900 µm buffer
- Excellent handling at high packing density

### Specification

Compliance	IEC61754-6	
Technology	Full ceramic ferrule 2,5 mm	
Mechanical resistance	70 N	
Durability	min 1000 mating cycles	
Operating temperature	-40°C to +75°C	
Storage temperature	-40°C to +85°C	
	SM	MM
Insertion Loss	<=0,3 dB	
Durability (1000 Mating)	0,2 dB max.	
Remark:	Ferrule Concentricity SM <1µm; MM< 1,4 µm Ferrule inner diameter tolerance +1/-0 µm Ferrule outer diameter tolerance +0/-0,5 µm	

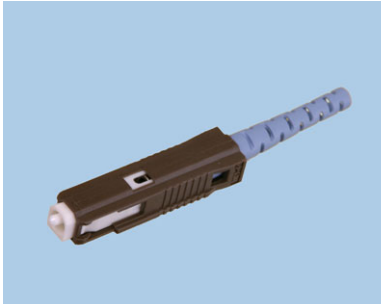
Connector MU Type

MU 0,9 mm Rubber Boot



Appliance Ferrule Ø $\mu$ m	Polishing	Cable Ø mm	Boot type	Boot color	Execution	Type	Article Nr.:
SM/125	UPC	0,9	Rubber	blue	simplex	CO.MU/SM05.SX20.BLR	EC02.070101.001
SM/125	UPC	0,0	Rubber	blue	duplex	CO.MU/SM05.DX20.BLR	EC02.080101.001
MM/126	UPC	0,9	Rubber	blue	simplex	CO.MU/SM06.SX20.BLR	EC02.070301.001

MU 2,0 Telcordia Boot



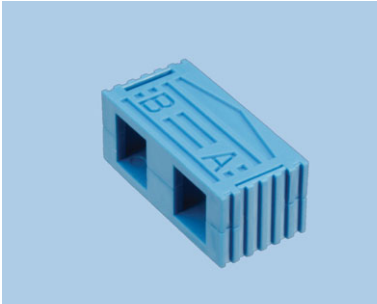
MU 2,0 Duplex Connector Telcordia Boot



Appliance Ferrule Ø $\mu$ m	Polishing	Cable Ø mm	Boot type	Boot color	Execution	Type	Article Nr.:
SM/125	UPC	=<0,2	Telcordia	blue	simplex	CO.MU/SM05.SX20.WTT	EC02.070146.001
SM/125	UPC	=<0,2	Telcordia	blue	duplex	CO.MU/SM05.DX20.WTT	EC02.080146.001

Connector accessories

Duplex clip for SC connector



Description	Boot color	Type	Article Nr.:
Duplex clip	Blue	CO.AC/SCDC.BL	EC02.020101.002
Duplex clip	Beige	CO.AC/SCDC.BG	EC02.020402.002
Duplex clip	Green	CO.AC/SCDC.GN	EC02.020704.002

Duplex clip for LC connector



Description	Boot color	Type	Article Nr.:
Duplex clip	Blue	CO.AC/LCDC.BL	EC02.020101.002
Duplex clip	Beige	CO.AC/LCDC.BG	EC02.020402.002
Duplex clip	Green	CO.AC/LCDC.GN	EC02.020704.002

Rubber Boot for buffer/cable diameter < 1,0 mm

For large form factor connectors (2,5 mm ferrule) like ST, FC, SC.



ec - Article Numbers

Cable Ø mm	Boot type	Boot color black	Boot color beige	Boot color blue	Boot color green	Boot color yellow
0,9	Rubber short	EC02.000003.100	EC02.000002.100	EC02.000001.100	EC02.000004.100	EC02.000006.100
0,9	Rubber long	EC02.000073.100	EC02.000072.100	EC02.000071.100	EC02.000074.100	EC02.000076.100

Connector accessories

**Crimp set for cable diameter > 1,6 mm**

For ST, FC, SC.



ec - Article Numbers

Cable Ø mm	Connector type	Boot type	Crimp eyelet	Boot color black	Boot color beige	Boot color blue	Boot color green	Boot color red	Boot color yellow
1,6 - 1,8	LC	Telcordia	EC02.000003.201	EC02.000082.100	EC02.000081.100	EC02.000080.100	EC02.000083.100	EC02.000084.100	EC02.000085.100
2,0 - 2,2	ST, SC, FC	Rubber	EC02.000003.202	EC02.000012.100	EC02.000011.100	EC02.000010.100	EC02.000013.100	EC02.000014.100	EC02.000015.100
2,0 - 2,2	LC, ST, SC, FC	Telcordia	EC02.000003.203	EC02.000042.100	EC02.000041.100	EC02.000040.100	EC02.000043.100	EC02.000044.100	EC02.000045.100
2,8 - 3,0	ST, SC, FC	Rubber	EC02.000003.204	EC02.000032.100	EC02.000031.100	EC02.000030.100	EC02.000033.100	EC02.000034.100	EC02.000035.100
2,8 - 3,0	SC, FC	Telcordia	EC02.000003.205	EC02.000062.100	EC02.000061.100	EC02.000060.100	EC02.000063.100	EC02.000064.100	EC02.000065.100

**Angled Boots 45° and 90°**

For ST, FC, SC connectors

Designed to install above connectors into racks with tight space conditions. The 90° or 45° boot is used in addition to crimpset and secures the minimal bending radius of 30 mm, for cable diameter up to 3,0 mm.



ec - Article Numbers

Cable Ø mm	Boot type	Boot color blue	Boot color beige	Boot color green
up to 3,0	Angled 45°	EC02.000000.301	EC02.000000.302	EC02.000000.303
up to 3,0	Angled 90°	EC02.000000.311	EC02.000000.312	EC02.000000.313